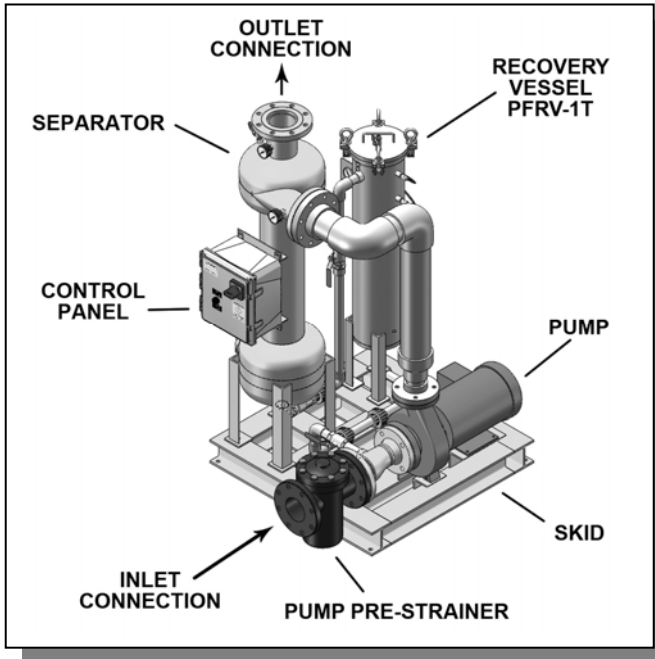




PF63-060(B) SPECIFICATION SHEET PACKAGE RECOVERY SYSTEM



SPECIFICATIONS	PF63-060(B)
Flow Rate	1200 gpm
Pump Motor	25 hp
Inlet Connection	8" flng
Outlet Connection	6" flng
Separator Model	PF61-060
Separator Purge	Continuous
Recovery Vessel Model	PFRV-1T
System Volume	53 gal
Est. Weight, Dry	1615 lbs
Est. Weight, Operating	2055 lbs

- Removes particulate as low as 45 microns
- 150 psi working pressure

- Fully assembled skid package
- One year limited warranty

SYSTEM COMPONENTS

Separator :

- PF61-060 - 6" flanged separator
- Fusion bonded polyester coated vessel
- 1/4" Manual air bleed valve
- Inlet / Outlet pressure gauges

Pump :

- Close coupled, end suction centrifugal pump
- Cast iron pre-strainer w/ removable SST basket
- 1750 rpm, TEFC motor

Skid :

- Fusion bonded polyester coated carbon steel

Recovery Vessel :

- 304 Stainless steel vessel with hinged eye bolt cover
- Stainless steel support basket w/ 25 micron bag
- Pressure differential indicator
- Automatic flow controller & isolation ball valves

Electrical Controls :

- NEMA 4X fiberglass enclosure
- Motor overload/short circuit protection
- Pump Hand-Off-Auto switch

Interconnecting Pipe :

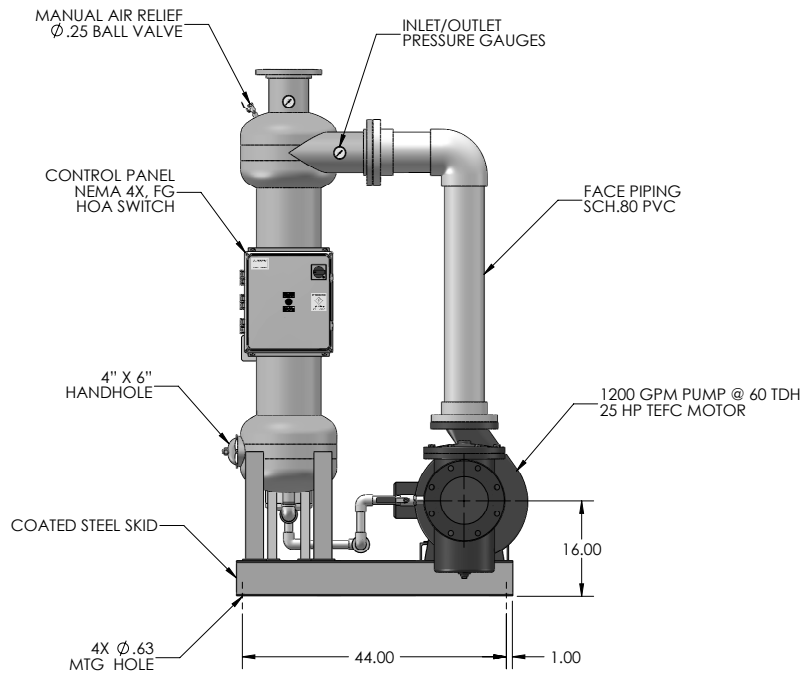
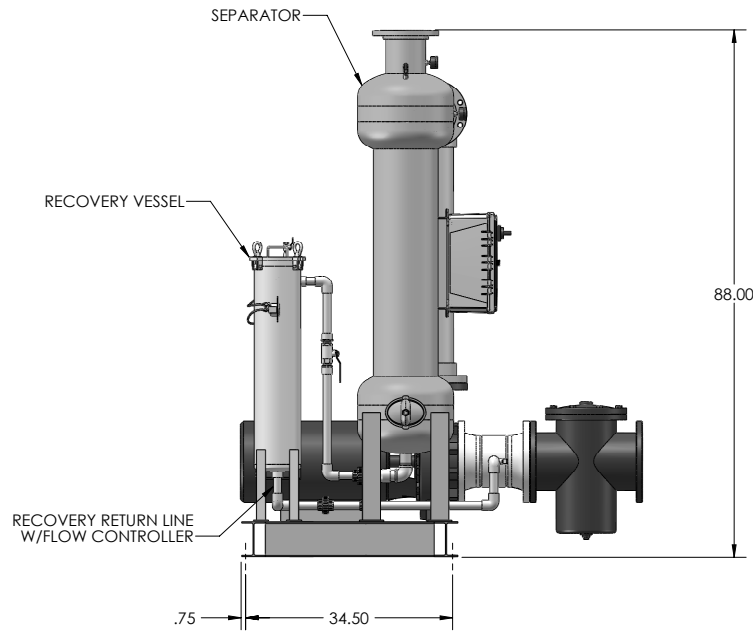
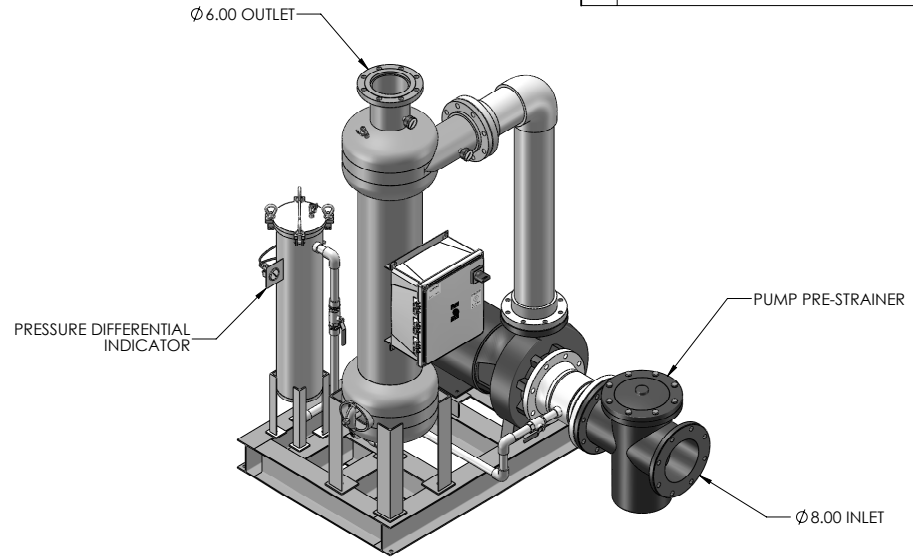
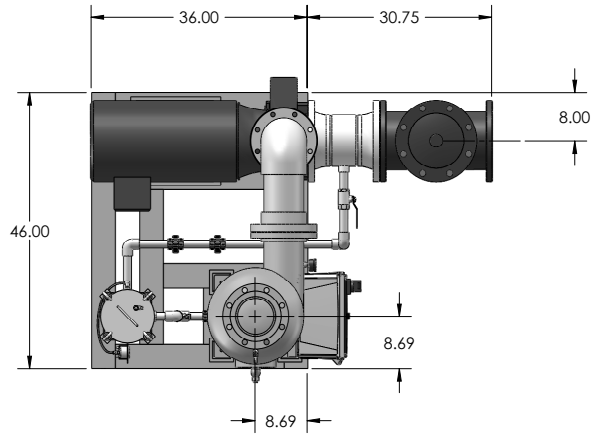
- Sch.80 PVC piping

Options: Dry Contact for Alarm, Auto Purge, Removable Dome, 22 1/2" profile

NOTES: UNLESS OTHERWISE SPECIFIED

1. DIMENSIONS ARE IN INCHES
2. DIMENSIONS MAY VARY SLIGHTLY - DO NOT USE FOR CONSTRUCTION
3. SEPARATOR SYSTEM IS RATED FOR 150 PSI WORKING PRESSURE

REVISIONS			
REV	DESCRIPTION	DATE	APPROVED
J	REVISED PUMP	09-18-09	D.L.



UNLESS OTHERWISE SPECIFIED	PROJ. NO.	PF-63-060(B) SEPARATOR PACKAGE	
DIMENSIONS ARE IN INCHES	DRAWN	1200 GPM - W/RECOVERY VESSEL	
TOLERANCES:	K. CARTER		
FRACTIONAL ±	CHECKED		
ANGULAR: MACH ± BEND ±	DESIGN APPROVED		
TWO PLACE DECIMAL ±	MFG APPROVED		
THREE PLACE DECIMAL ±	QA APPROVED		
INTERPRET GEOMETRIC TOLERANCING PER:	RELEASE DATE	12-17-01	
MATERIAL	SCALE	NONE	
FINISH	SIZE	C	
NEXT ASSY	CAGE CODE	DWG. NO. 631-0011	
APPLICATION	DO NOT SCALE DRAWING	SHEET 1 OF 3	

PROPRIETARY AND CONFIDENTIAL
THE INFORMATION CONTAINED IN THIS DRAWING IS THE SOLE PROPERTY OF PUROFLUX CORPORATION. ANY REPRODUCTION IN PART OR AS A WHOLE WITHOUT THE WRITTEN PERMISSION OF PUROFLUX CORPORATION IS PROHIBITED.

PHONE: (805) 579-0216
FAX: (805) 579-4005
WEBSITE: www.puroflux.com

4

3

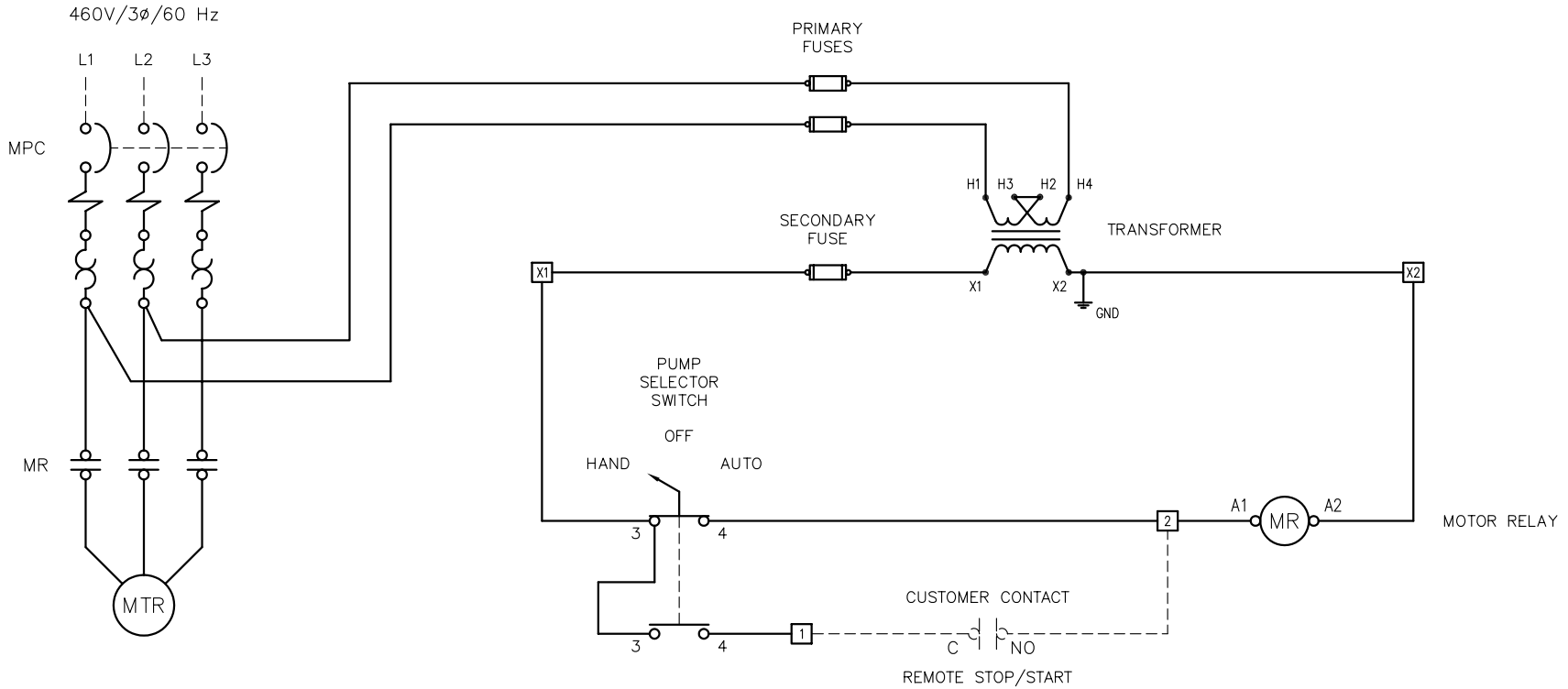
2

1

NOTICE OF PROPRIETARY RIGHTS

This document contains confidential technical data, including trade secrets, proprietary to Puroflux, Inc. Disclosure of this data to you is expressly conditioned upon your assent that its use is limited to use within your company only (and does not include manufacture or processing uses). Any other use is strictly prohibited without the prior written consent of Puroflux, Inc.

REVISIONS			
REV	DESCRIPTION	DATE	APPROVED



D

D

C

C

B

B

A

A

DWG. NO. 632-0032
 SH 1
 REV B

NOTES: UNLESS OTHERWISE SPECIFIED

MATERIAL HEAT TREAT FINISH NEXT ASSEMBLY APPLICATION	UNLESS OTHERWISE NOTED DIMENSIONS ARE IN INCHES DO NOT SCALE THIS DRAWING	PROJ. NO. DRAWN K. CARTER	PF-63 SERIES : 460V/3φ/60 HZ CONTROL PANEL W/ REMOTE STOP/START PUROFLUX CORPORATION 1357 KUEHNER DRIVE SIMI VALLEY CA 93063 PHONE: (805) 579-0216 FAX: (805) 579-6005
	INTERPRET DRAWING PER APPLICABLE STANDARDS	CHECKED	
	DECIMALS .XX ± - ± - ANGLES ° ± - SURFACE FINISH .XXX ± -	DESIGN APPROVED	
	THREADS PER NBS HANDBOOK-H28 CONCENTRICITIES .010 TR BREAK CORNERS .005-.015 INTERNAL RADIUS .015-.030	MFG APPROVED QA APPROVED	
RELEASE DATE 99-04-28	SCALE NONE	DWG. NO. 632-0032	REV B
SHEET 1 OF 1		SIZE C CAGE CODE	

4

3

2

1