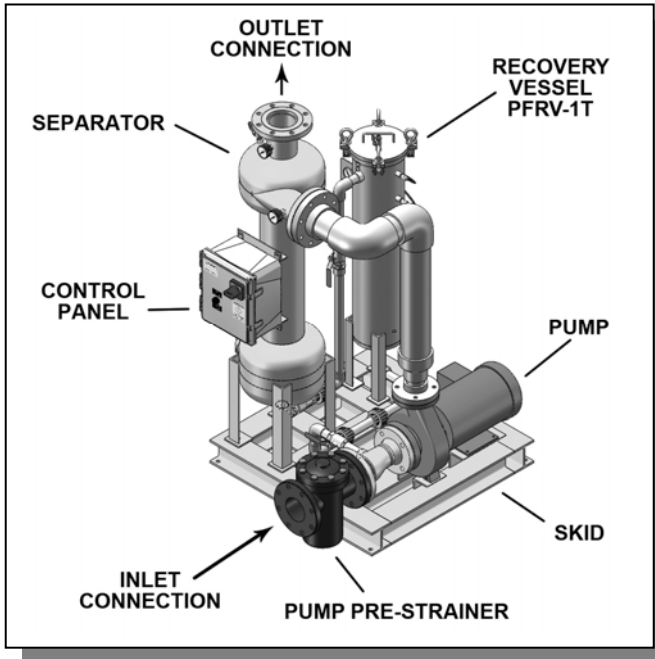




# PUROFLUX CORPORATION

ENGINEERING • MANUFACTURING • SERVICE

## PF63-040(B) SPECIFICATION SHEET PACKAGE RECOVERY SYSTEM



SPECIFICATIONS	PF63-040(B)
Flow Rate	400 gpm
Pump Motor	10 hp
Inlet Connection	4" flng
Outlet Connection	4" flng
Separator Model	PF61-040
Separator Purge	Continuous
Recovery Vessel Model	PFRV-1T
System Volume	26 gal
Est. Weight, Dry	755 lbs
Est. Weight, Operating	983 lbs

- Removes particulate as low as 45 microns
- 150 psi working pressure

- Fully assembled skid package
- One year limited warranty

### SYSTEM COMPONENTS

#### **Separator :**

- PF61-040 - 4" flanged separator
- Fusion bonded polyester coated vessel
- 1/4" Manual air bleed valve
- Inlet / Outlet pressure gauges

#### **Pump :**

- Close coupled, end suction centrifugal pump
- Cast iron pre-strainer w/ removable SST basket
- 3450 rpm, TEFC motor

#### **Skid :**

- Fusion bonded polyester coated carbon steel

#### **Recovery Vessel :**

- 304 Stainless steel vessel with hinged eye bolt cover
- Stainless steel support basket w/ 25 micron bag
- Pressure differential indicator
- Automatic flow controller & isolation ball valves

#### **Electrical Controls :**

- NEMA 4X fiberglass enclosure
- Motor overload/short circuit protection
- Pump Hand-Off-Auto switch

#### **Interconnecting Pipe :**

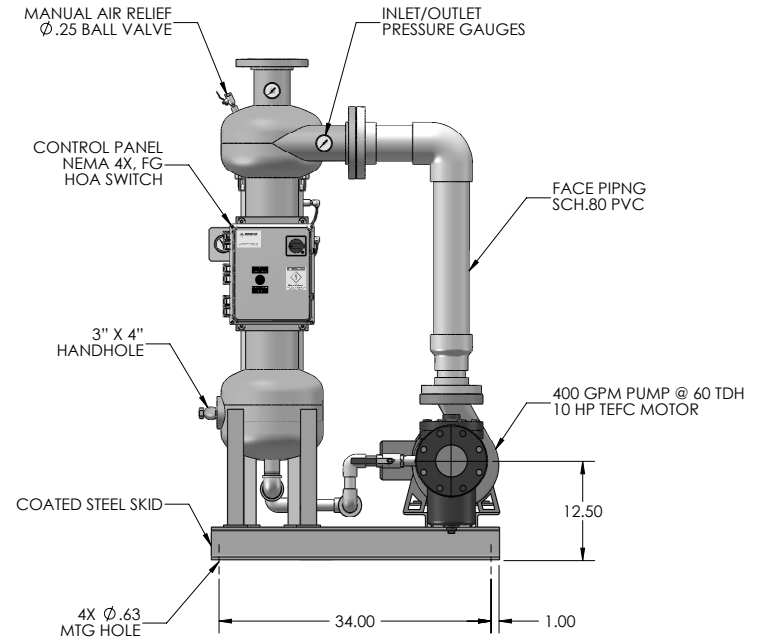
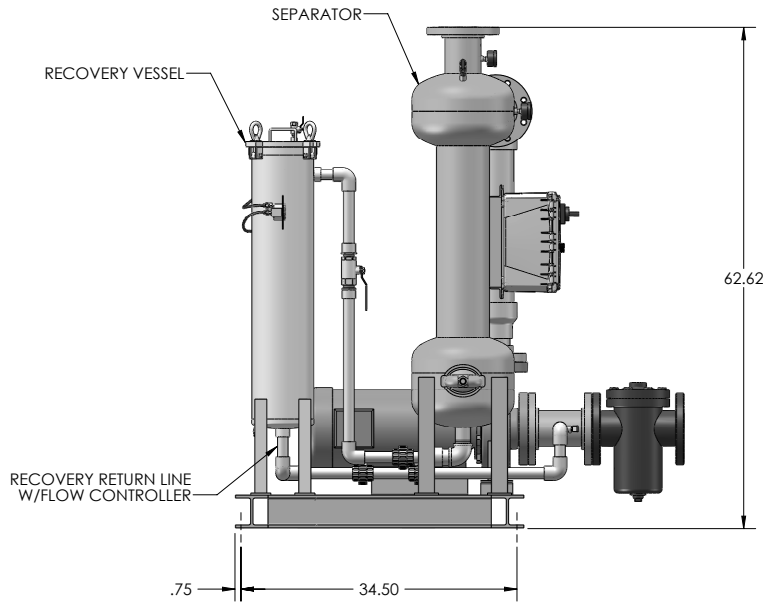
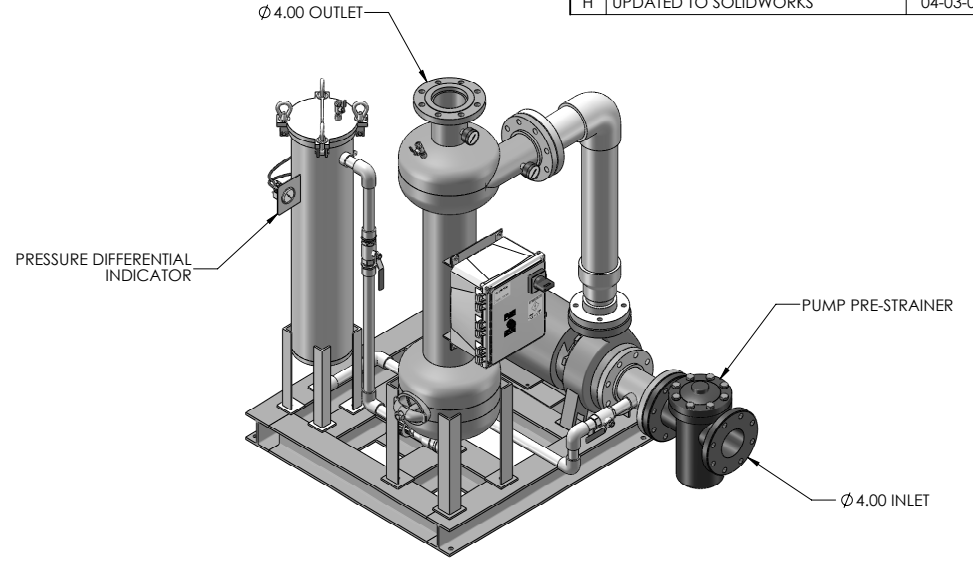
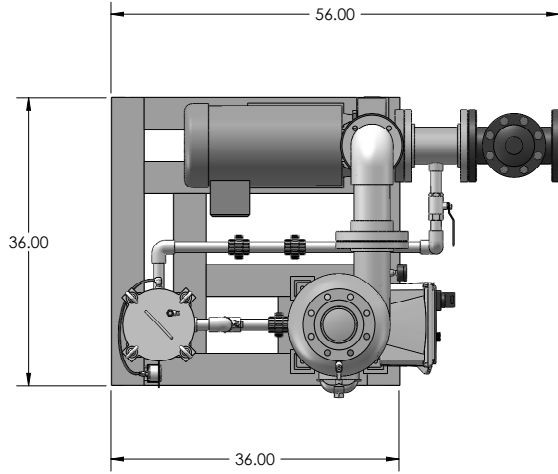
- Sch.80 PVC piping

**Options:** Dry Contact for Alarm, Auto Purge, Removable Dome, 22 1/2° profile

NOTES: UNLESS OTHERWISE SPECIFIED

1. DIMENSIONS ARE IN INCHES
2. DIMENSIONS MAY VARY SLIGHTLY - DO NOT USE FOR CONSTRUCTION
3. SEPARATOR SYSTEM IS RATED FOR 150 PSI WORKING PRESSURE

REVISIONS			
REV	DESCRIPTION	DATE	APPROVED
H	UPDATED TO SOLIDWORKS	04-03-09	D.L.



PROPRIETARY AND CONFIDENTIAL THE INFORMATION CONTAINED IN THIS DRAWING IS THE SOLE PROPERTY OF PUROFLUX CORPORATION. ANY REPRODUCTION IN PART OR AS A WHOLE WITHOUT THE WRITTEN PERMISSION OF PUROFLUX CORPORATION IS PROHIBITED.	UNLESS OTHERWISE SPECIFIED DIMENSIONS ARE IN INCHES TOLERANCES: FRACTIONAL ± ANGULAR: MACH ± BEND ± TWO PLACE DECIMAL ± THREE PLACE DECIMAL ±	PROJ. NO. DRAWN K. CARTER	PF-63-040(B) SEPARATOR PACKAGE 400 GPM - WITH RECOVERY VESSEL		
	INTERPRET GEOMETRIC TOLERANCING PER:	CHECKED	PHONE: (805) 579-0216 FAX: (805) 579-4005 WEBSITE: www.puroflux.com		
	MATERIAL	DESIGN APPROVED	SIZE C	CAGE CODE	DWG NO. 631-0008
	FINISH	MFG APPROVED	SCALE NONE	REV H	SHEET 1 OF 3
APPLICATION DO NOT SCALE DRAWING	RELEASE DATE 12-13-04	SCALE NONE	REV H	SHEET 1 OF 3	

4

3

2

1

**NOTICE OF PROPRIETARY RIGHTS**

This document contains confidential technical data, including trade secrets, proprietary to Puroflux, Inc. Disclosure of this data to you is expressly conditioned upon your assent that its use is limited to use within your company only (and does not include manufacture or processing uses). Any other use is strictly prohibited without the prior written consent of Puroflux, Inc.

REVISIONS			
REV	DESCRIPTION	DATE	APPROVED

D

D

C

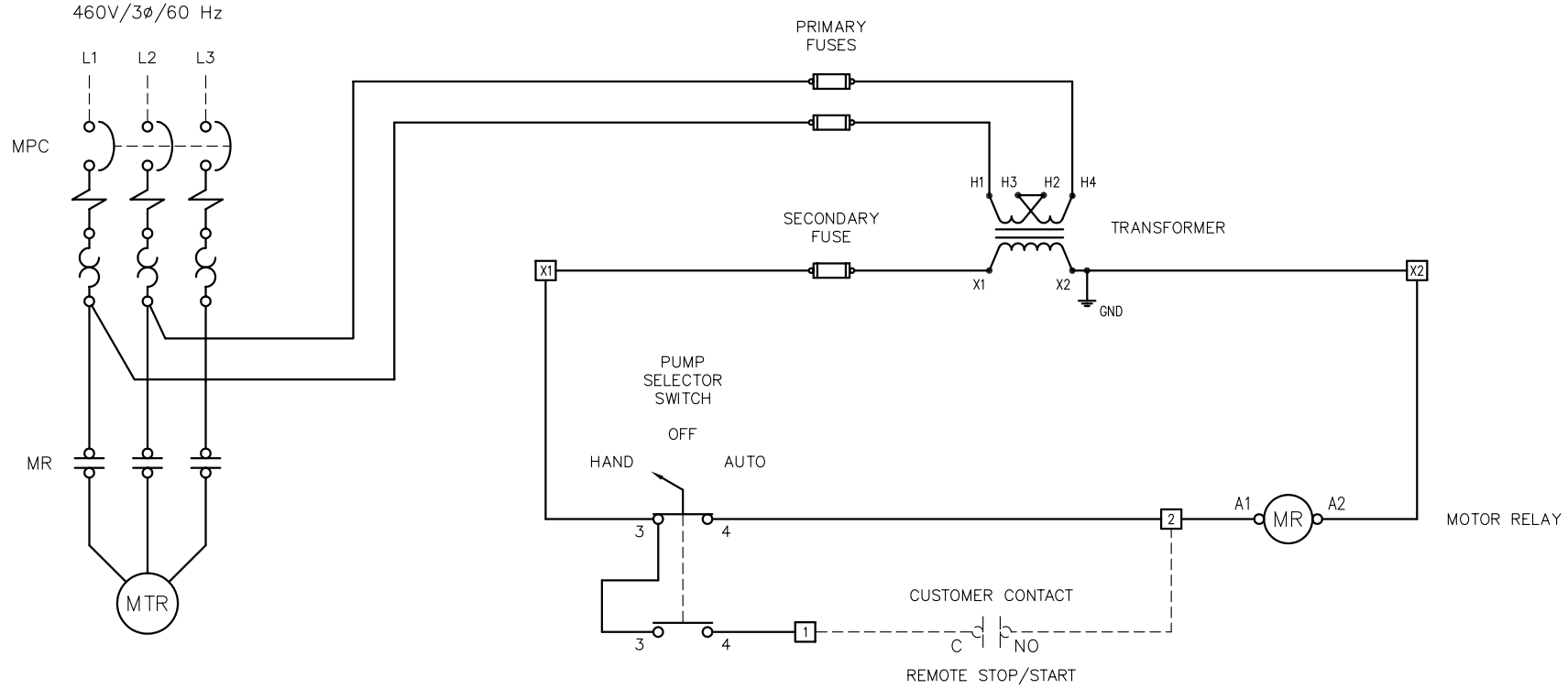
C

B

DWG. NO. 632-0032  
 SH 1  
 REV B

A

A



NOTES: UNLESS OTHERWISE SPECIFIED

MATERIAL HEAT TREAT FINISH NEXT ASSEMBLY APPLICATION	UNLESS OTHERWISE NOTED	PROJ. NO.	PF-63 SERIES : 460V/3φ/60 HZ CONTROL PANEL W/ REMOTE STOP/START <b>PUROFLUX CORPORATION</b> 1357 KUEHNER DRIVE SIMI VALLEY CA 93063 PHONE: (805) 579-0216 FAX: (805) 579-6005
	DIMENSIONS ARE IN INCHES DO NOT SCALE THIS DRAWING	DRAWN K. CARTER	
	INTERPRET DRAWING PER APPLICABLE STANDARDS	CHECKED	
	DECIMALS ANGLES SURFACE FINISH .XX ± ± - .XXX ± -	DESIGN APPROVED	
	THREADS PER NBS HANDBOOK-H28 CONCENTRICITIES .010 TR BREAK CORNERS .005-.015 INTERNAL RADIUS .015-.030	MFG APPROVED	SIZE C
		QA APPROVED	CAGE CODE
		RELEASE DATE 99-04-28	DWG. NO. 632-0032
			SCALE NONE
			REV B
			SHEET 1 OF 1

4

3

2

1