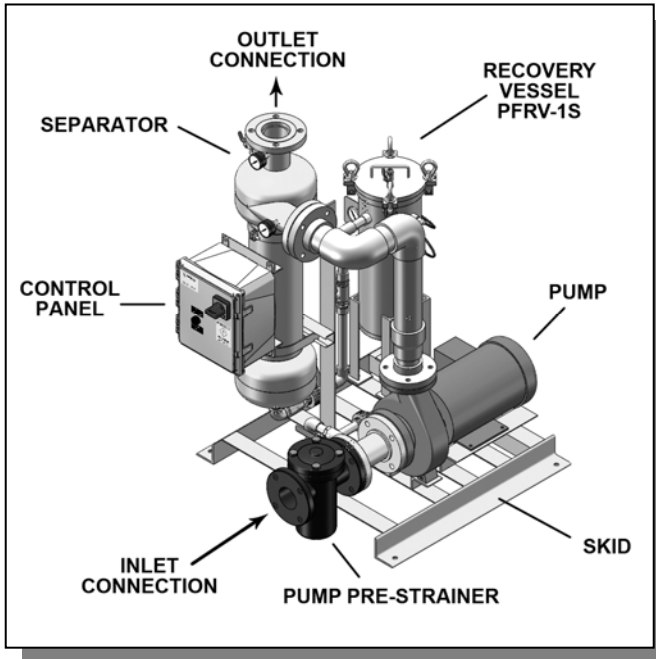




PUROFLUX CORPORATION

ENGINEERING • MANUFACTURING • SERVICE

PF63-030 SPECIFICATION SHEET PACKAGE RECOVERY SYSTEM



SPECIFICATIONS	PF63-030
Flow Rate	220 gpm
Pump Motor	7.5 hp
Inlet Connection	3" flng
Outlet Connection	3" flng
Separator Model	PF61-030
Separator Purge	Continuous
Recovery Vessel Model	PFRV-1S
System Volume	15 gal
Est. Weight, Dry	452 lbs
Est. Weight, Operating	572 lbs

- Removes particulate as low as 45 microns
- 150 psi working pressure

- Fully assembled skid package
- One year limited warranty

SYSTEM COMPONENTS

Separator :

- PF61-030 - 3" flanged separator
- Fusion bonded polyester coated vessel
- 1/4" Manual air bleed valve
- Inlet / Outlet pressure gauges

Pump :

- Close coupled, end suction centrifugal pump
- Cast iron pre-strainer w/ removable SST basket
- 3450 rpm, TEFC motor

Skid :

- Fusion bonded polyester coated carbon steel

Recovery Vessel :

- 304 Stainless steel vessel with hinged eye bolt cover
- Stainless steel support basket w/ 25 micron bag
- Pressure differential indicator
- Automatic flow controller & isolation ball valves

Electrical Controls :

- NEMA 4X fiberglass enclosure
- Motor overload/short circuit protection
- Pump Hand-Off-Auto switch

Interconnecting Pipe :

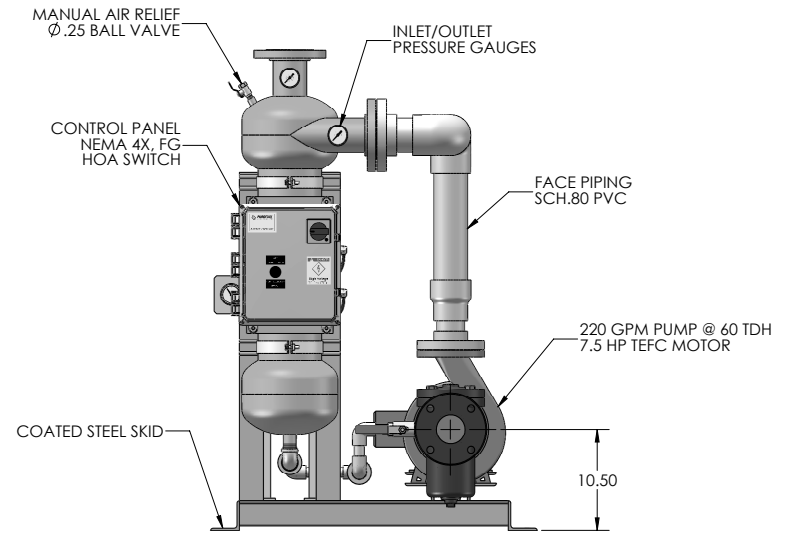
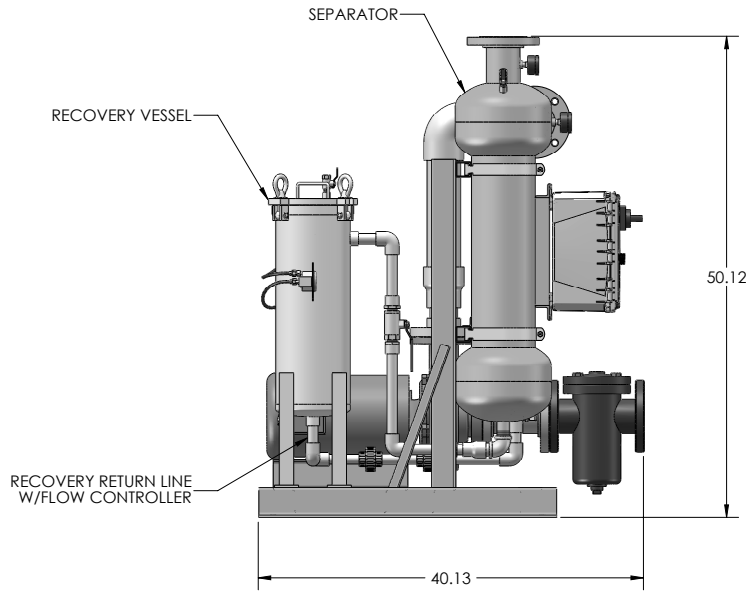
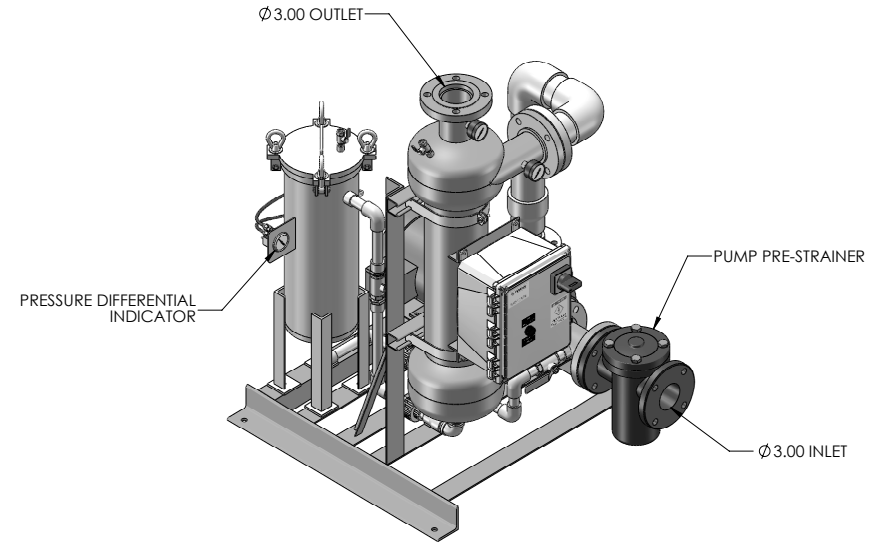
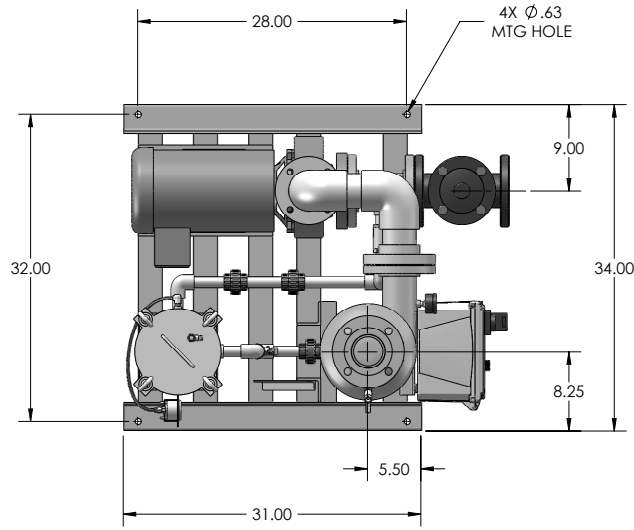
- Sch.80 PVC piping

Options: Dry Contact for Alarm, Auto Purge, Removable Dome, 22 1/2" profile

NOTES: UNLESS OTHERWISE SPECIFIED

1. DIMENSIONS ARE IN INCHES
2. DIMENSIONS MAY VARY SLIGHTLY - DO NOT USE FOR CONSTRUCTION
3. SEPARATOR SYSTEM IS RATED FOR 150 PSI WORKING PRESSURE

REVISIONS			
REV	DESCRIPTION	DATE	APPROVED
J	CHANGED GPM FROM 200 TO 220	09-25-09	D.L.



UNLESS OTHERWISE SPECIFIED DIMENSIONS ARE IN INCHES TOLERANCES: FRACTIONAL ± ANGULAR: MACH ± BEND ± TWO PLACE DECIMAL ± THREE PLACE DECIMAL ±		PROJ. NO.	PF-63-030 SEPARATOR PACKAGE 220 GPM - WITH RECOVERY VESSEL	
INTERPRET GEOMETRIC TOLERANCING PER:		DRAWN	K. CARTER	
MATERIAL		CHECKED		
FINISH		DESIGN APPROVED		
APPLICATION		MFG APPROVED		
DO NOT SCALE DRAWING		QA APPROVED		
		RELEASE DATE	07-10-98	
		SCALE	NONE	
		SHEET	1 OF 3	
PROPRIETARY AND CONFIDENTIAL THE INFORMATION CONTAINED IN THIS DRAWING IS THE SOLE PROPERTY OF PUROFLUX CORPORATION. ANY REPRODUCTION IN PART OR AS A WHOLE WITHOUT THE WRITTEN PERMISSION OF PUROFLUX CORPORATION IS PROHIBITED.		SIZE C	CAGE CODE DWG NO. 631-0005	REV J
		PHONE: (805) 579-0216 FAX: (805) 579-4005 WEBSITE: www.puroflux.com		

4

3

2

1

NOTICE OF PROPRIETARY RIGHTS

This document contains confidential technical data, including trade secrets, proprietary to Puroflux, Inc. Disclosure of this data to you is expressly conditioned upon your assent that its use is limited to use within your company only (and does not include manufacture or processing uses). Any other use is strictly prohibited without the prior written consent of Puroflux, Inc.

REVISIONS			
REV	DESCRIPTION	DATE	APPROVED

D

D

C

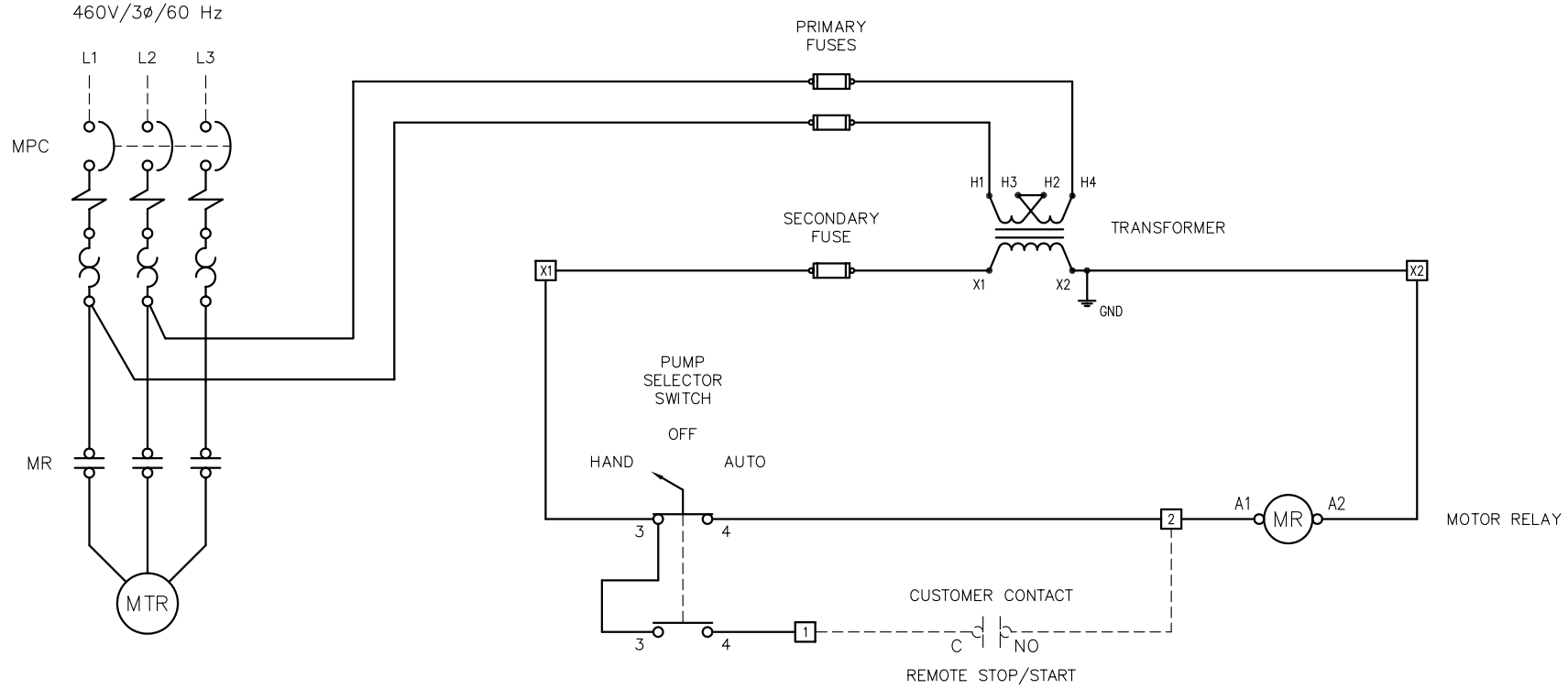
C

B

B

A

A



DWG. NO. 632-0032
 SH 1
 REV B

NOTES: UNLESS OTHERWISE SPECIFIED

MATERIAL HEAT TREAT FINISH NEXT ASSEMBLY APPLICATION	UNLESS OTHERWISE NOTED	PROJ. NO.	PF-63 SERIES : 460V/3φ/60 HZ CONTROL PANEL W/ REMOTE STOP/START PUROFLUX CORPORATION 1357 KUEHNER DRIVE SIMI VALLEY CA 93063 PHONE: (805) 579-0216 FAX: (805) 579-6005
	DIMENSIONS ARE IN INCHES DO NOT SCALE THIS DRAWING	DRAWN K. CARTER	
	INTERPRET DRAWING PER APPLICABLE STANDARDS	CHECKED	
	DECIMALS ANGLES SURFACE FINISH .XX ± ± - .XXX ± -	DESIGN APPROVED	
	THREADS PER NBS HANDBOOK-H28 CONCENTRICITIES .010 TR BREAK CORNERS .005-.015 INTERNAL RADIUS .015-.030	MFG APPROVED	DWG. NO. 632-0032
		QA APPROVED	SCALE NONE
		RELEASE DATE 99-04-28	REV B
			SHEET 1 OF 1

4

3

2

1