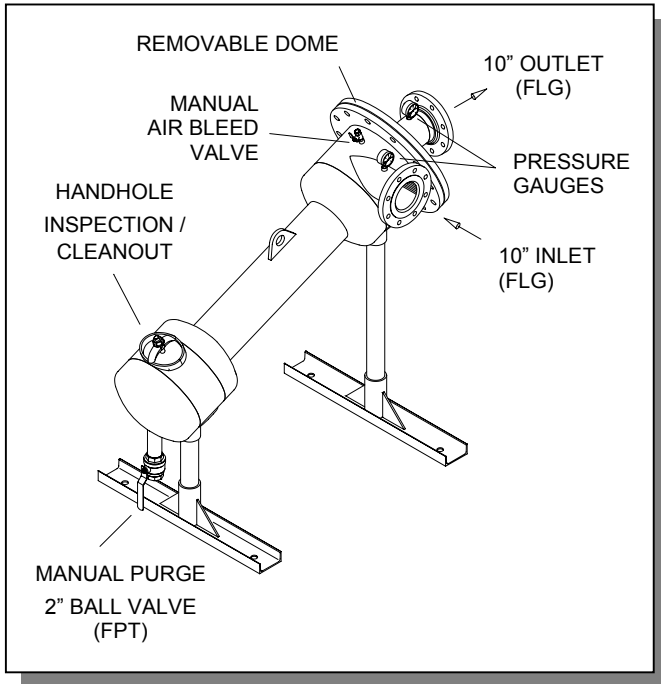




# PUROFLUX CORPORATION

ENGINEERING • MANUFACTURING • SERVICE

## PF66-100 SPECIFICATION SHEET - 10" REMOVABLE DOME 22 1/2° LOW PROFILE SEPARATOR



SPECIFICATIONS	PF66-100
Flow Range	1600-3100 gpm
Connections – Influent / Effluent	10" flg
Purge Outlet	2" fpt
Manual Air Bleed Valve	1/4" fpt
Volume	107 gal
Est. Weight, Dry	1480 lbs
Est. Weight, Operating	2368 lbs
Handhole – Inspection/Cleanout	4" x 6"
Options:	
Auto Purge	APV-200
Inspection Port	Consult Factory

- Carbon steel construction
- Fusion bonded polyester coating
- True tangential entry
- 150 psi working pressure
- Industrial grade manual purge valve
- 0 to 160 psi gauges on influent / effluent
- 1/4" manual air bleed valve
- Five year limited warranty

PRESSURE DROP vs. FLOW RATE							
Pressure Drop	3 psi	4 psi	6 psi	8 psi	10 psi	11 psi	CV Factor
Flow (gpm)*	1600	1848	2263	2613	2922	3065	924

\* (Flow rate / CV values may vary slightly)

To determine the approximate pressure drop at flow rates not shown in this chart, use the following formula:

$$\Delta P = (\text{FLOW RATE} / \text{CV})^2$$

CV Factor : CV is defined as the flow in gallons per minute (GPM) that will produce a one pound pressure drop across the separator.

