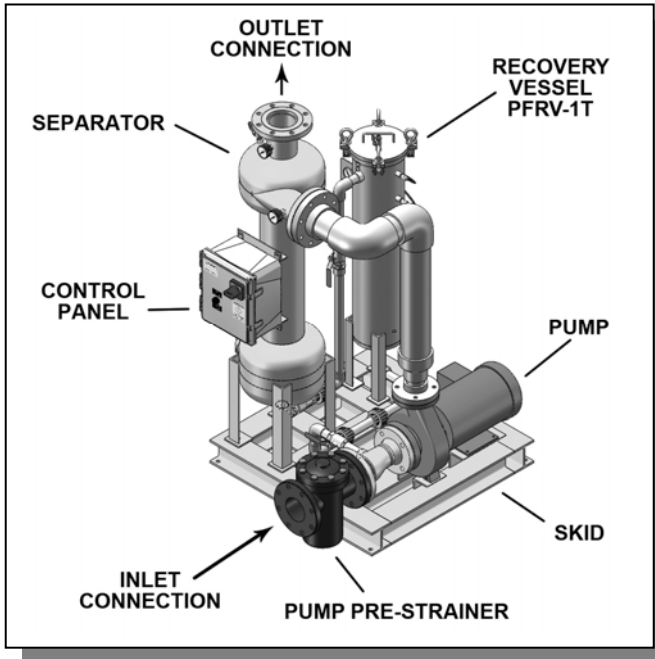




PF63-060(B) SPECIFICATION SHEET PACKAGE RECOVERY SYSTEM



SPECIFICATIONS	PF63-060(B)
Flow Rate	1200 gpm
Pump Motor	25 hp
Inlet Connection	8" flng
Outlet Connection	6" flng
Separator Model	PF61-060
Separator Purge	Continuous
Recovery Vessel Model	PFRV-1T
System Volume	53 gal
Est. Weight, Dry	1615 lbs
Est. Weight, Operating	2055 lbs

- Removes particulate as low as 45 microns
- 150 psi working pressure

- Fully assembled skid package
- One year limited warranty

SYSTEM COMPONENTS

Separator :

- PF61-060 - 6" flanged separator
- Fusion bonded polyester coated vessel
- 1/4" Manual air bleed valve
- Inlet / Outlet pressure gauges

Pump :

- Close coupled, end suction centrifugal pump
- Cast iron pre-strainer w/ removable SST basket
- 1750 rpm, TEFC motor

Skid :

- Fusion bonded polyester coated carbon steel

Recovery Vessel :

- 304 Stainless steel vessel with hinged eye bolt cover
- Stainless steel support basket w/ 25 micron bag
- Pressure differential indicator
- Automatic flow controller & isolation ball valves

Electrical Controls :

- NEMA 4X fiberglass enclosure
- Motor overload/short circuit protection
- Pump Hand-Off-Auto switch

Interconnecting Pipe :

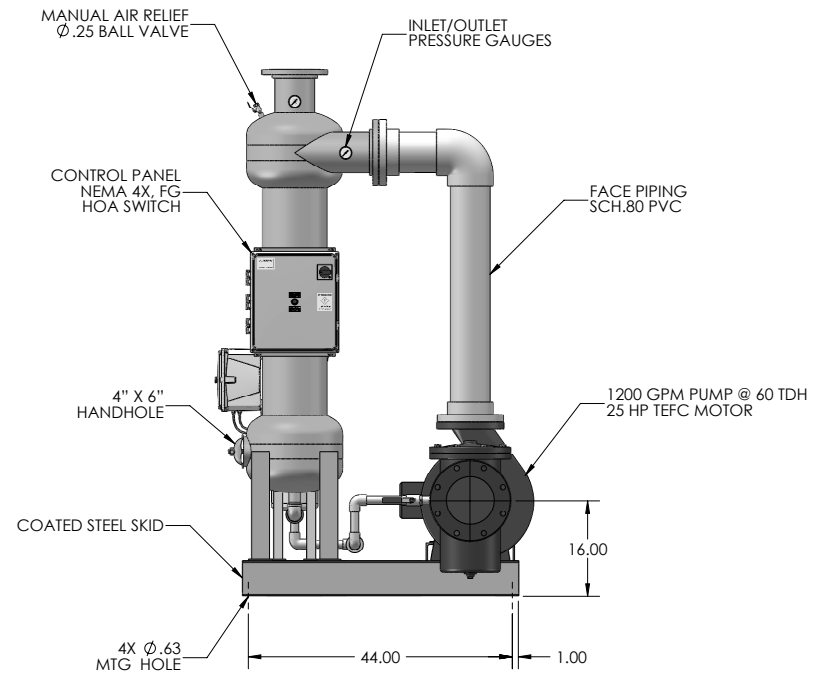
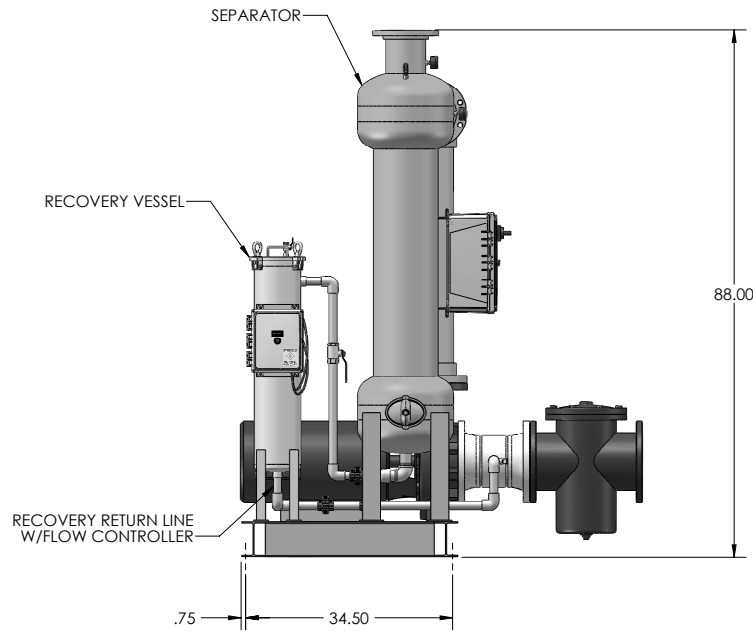
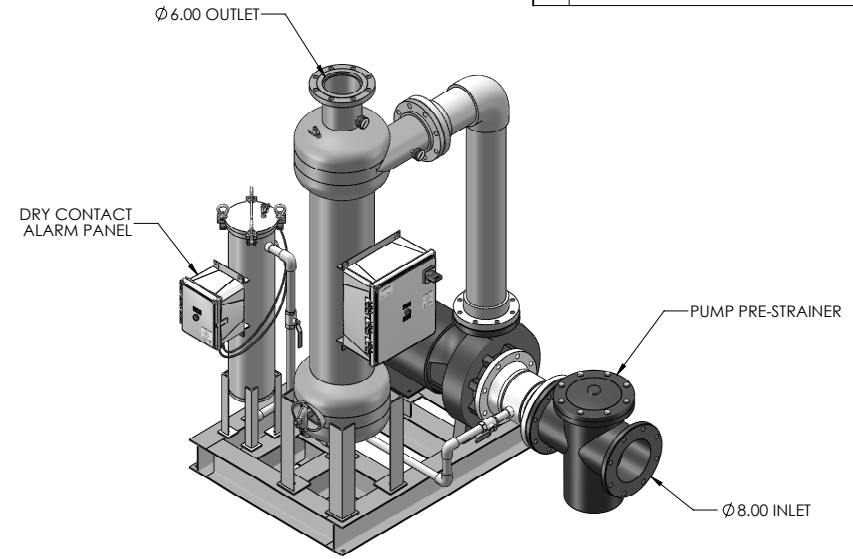
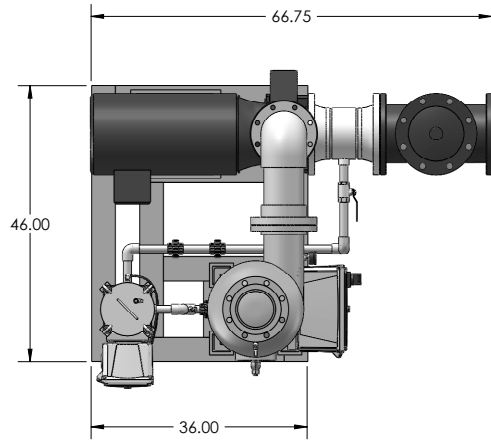
- Sch.80 PVC piping

Options: Dry Contact for Alarm, Auto Purge, Removable Dome, 22 1/2" profile

NOTES: UNLESS OTHERWISE SPECIFIED

1. DIMENSIONS ARE IN INCHES
2. DIMENSIONS MAY VARY SLIGHTLY - DO NOT USE FOR CONSTRUCTION
3. SEPARATOR SYSTEM IS RATED FOR 150 PSI WORKING PRESSURE

REVISIONS			
REV	DESCRIPTION	DATE	APPROVED
A	REVISED SKID AND PUMP	09-23-09	D.L.



UNLESS OTHERWISE SPECIFIED DIMENSIONS ARE IN INCHES TOLERANCES: FRACTIONAL ± ANGULAR: MACH ± BEND ± TWO PLACE DECIMAL ± THREE PLACE DECIMAL ± INTERPRET GEOMETRIC TOLERANCING PER:	PROJ. NO.	PF-63-060(B) SEPARATOR PACKAGE 1200 GPM - W/RECOVERY VESSEL	
	DRAWN D. LUNA	PHONE: (805) 579-0216 FAX: (805) 579-6005 WEBSITE: www.puroflux.com	
	CHECKED	Puroflux CORPORATION	
	DESIGN APPROVED	SIZE C CAGE CODE DWG NO. 631-0240 REV A	
	MFG APPROVED	SCALE NONE SHEET 1 OF 3	
	QA APPROVED	RELEASE DATE 05-19-09	
NEXT ASSY			
APPLICATION DO NOT SCALE DRAWING			

PROPRIETARY AND CONFIDENTIAL
THE INFORMATION CONTAINED IN THIS
DRAWING IS THE SOLE PROPERTY OF
PUROFLUX CORPORATION. ANY
REPRODUCTION IN PART OR AS A WHOLE
WITHOUT THE WRITTEN PERMISSION OF
PUROFLUX CORPORATION IS
PROHIBITED.

4

3

2

1

REVISIONS			
REV	DESCRIPTION	DATE	APPROVED
B	REVISED CR DESG	06-12-08	K.C.

NOTICE OF PROPRIETARY RIGHTS

This document contains confidential technical data, including trade secrets, proprietary to Puroflux, Inc. Disclosure of this data to you is expressly conditioned upon your assent that its use is limited to use within your company only (and does not include manufacture or processing uses). Any other use is strictly prohibited without the prior written consent of Puroflux, Inc.

D

D

C

C

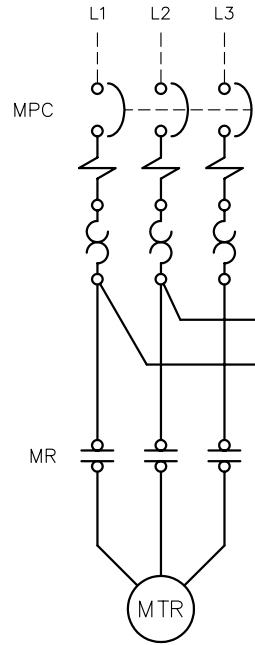
B

B

A

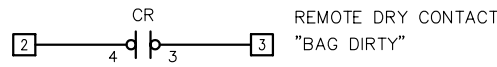
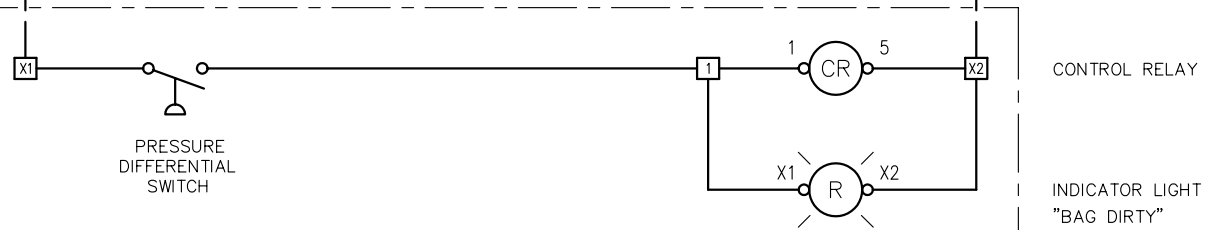
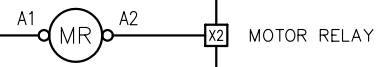
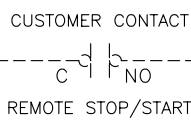
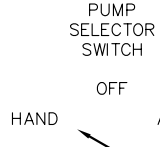
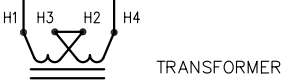
A

460V/3 ϕ /60 Hz



PRIMARY FUSES

SECONDARY FUSE



ENCLOSURE LOCATED ON RECOVERY VESSEL

DWG. NO. 632-0045
 SH 1
 REV B

NOTES: UNLESS OTHERWISE SPECIFIED

MATERIAL	UNLESS OTHERWISE NOTED	PROJ. NO.	PF-63 SERIES : 460V/3 ϕ /60 HZ REMOTE STOP/START : PFRV DRY CONTACT PUROFLUX CORPORATION 1357 KUEHNER DRIVE SIMI VALLEY CA 93063 PHONE: (805) 579-0216 FAX: (805) 579-6005
	DIMENSIONS ARE IN INCHES DO NOT SCALE THIS DRAWING	DRAWN K. CARTER	
	INTERPRET DRAWING PER APPLICABLE STANDARDS	CHECKED	
	DECIMALS .XX ± - ± - ANGLES ± - SURFACE FINISH .XXX ± -	DESIGN APPROVED	
HEAT TREAT	THREADS PER NBS HANDBOOK-H28	MFG APPROVED	SIZE C
	CONCENTRICITIES .010 TR	QA APPROVED	CAGE CODE
FINISH	BREAK CORNERS .005-.015	RELEASE DATE 06-18-04	DWG. NO. 632-0045
	INTERNAL RADII .015-.030		SCALE NONE
NEXT ASSEMBLY			REV B
APPLICATION			SHEET 1 OF 1

4

3

2

1