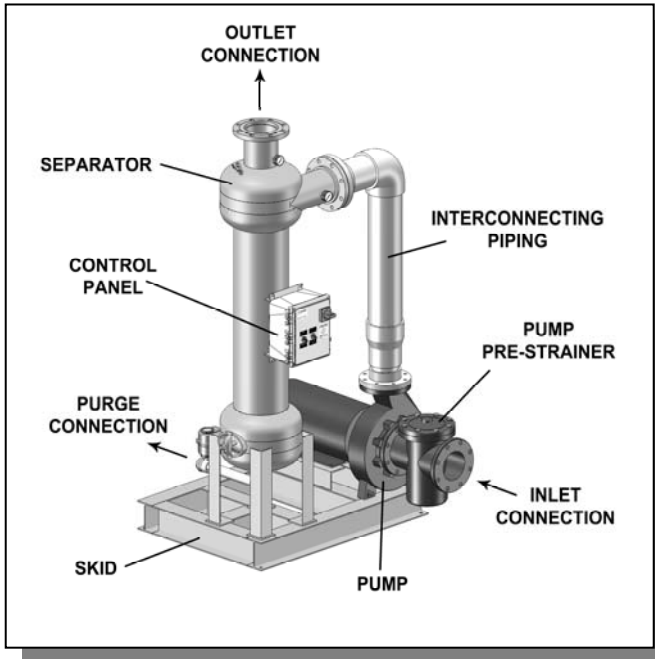




## PF64H-050 SPECIFICATION SHEET HIGH HEAD PUMP PACKAGE SYSTEM



SPECIFICATIONS	PF64H-050
Flow Rate	600 gpm
System Inlet Connection	6" flng
System Outlet Connection	5" flng
Purge Connection	1 1/2" fpt
Separator Model	PF61-050
Separator Purge	Automatic
Pump Motor	25 hp
Volume	24 gal
Est. Weight, Dry	1146 lbs
Est. Weight, Operating	1346 lbs

- Removes particulate as low as 45 microns
- 150 psi working pressure

- Fully assembled skid package
- One year limited warranty

### SYSTEM COMPONENTS

#### **Separator :**

- PF61-050 - 5" flanged separator
- Fusion bonded polyester coated vessel
- 1/4" Manual air bleed valve
- 0 to 160 psi gauges on influent / effluent

#### **Pump :**

- Pump rated for 600 GPM @ 100 TDH
- Close coupled, end suction centrifugal pump
- 1750 rpm, TEFC, 25 HP motor

#### **Skid :**

- Fusion bonded polyester coated carbon steel

#### **Electrical Controls :**

- NEMA 4X fiberglass enclosure
- Motor overload/short circuit protection
- Hand-Off-Auto switches

#### **Automatic Purge :**

- Electrically actuated industrial grade ball valve
- Adjustable purge timer

#### **Interconnecting Pipe :**

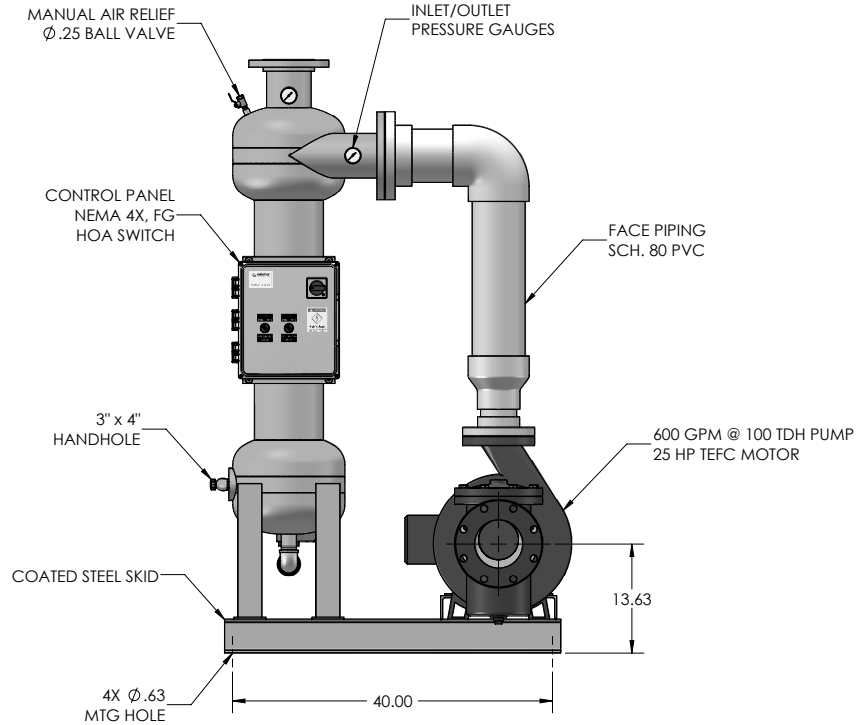
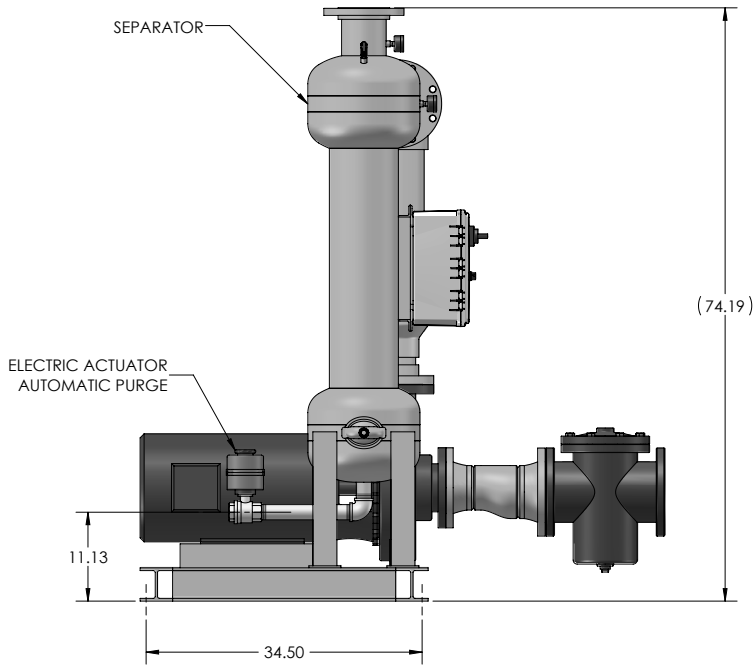
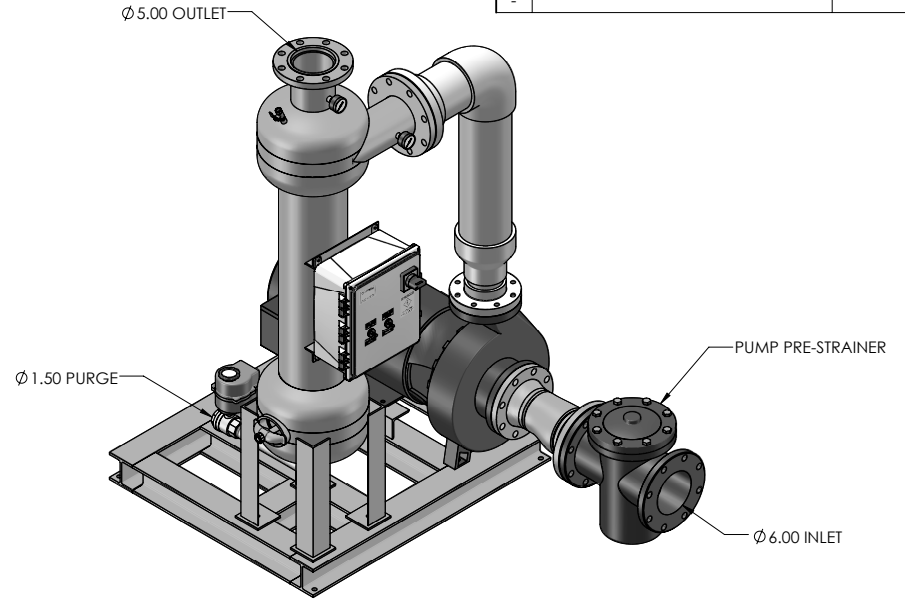
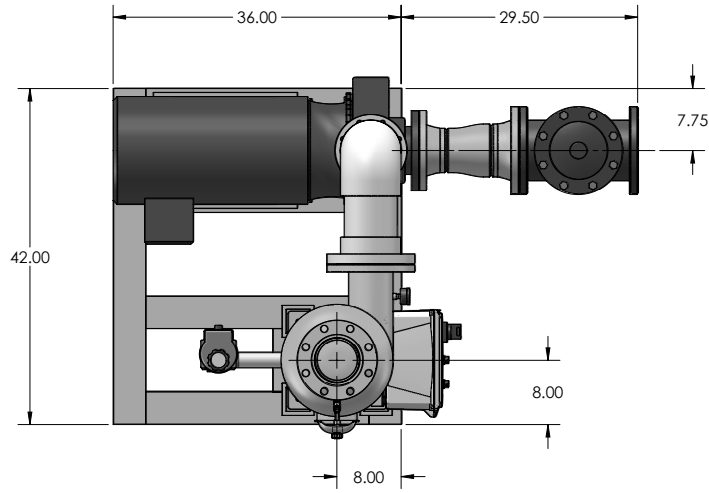
- Sch.80 PVC piping

**Options:** Manual Purge, Removable Dome, 22 1/2" profile

NOTES: UNLESS OTHERWISE SPECIFIED

1. DIMENSIONS ARE IN INCHES
2. DIMENSIONS MAY VARY SLIGHTLY - DO NOT USE FOR CONSTRUCTION
3. SEPARATOR SYSTEM IS RATED FOR 150 PSI WORKING PRESSURE

REVISIONS			
REV	DESCRIPTION	DATE	APPROVED
-			

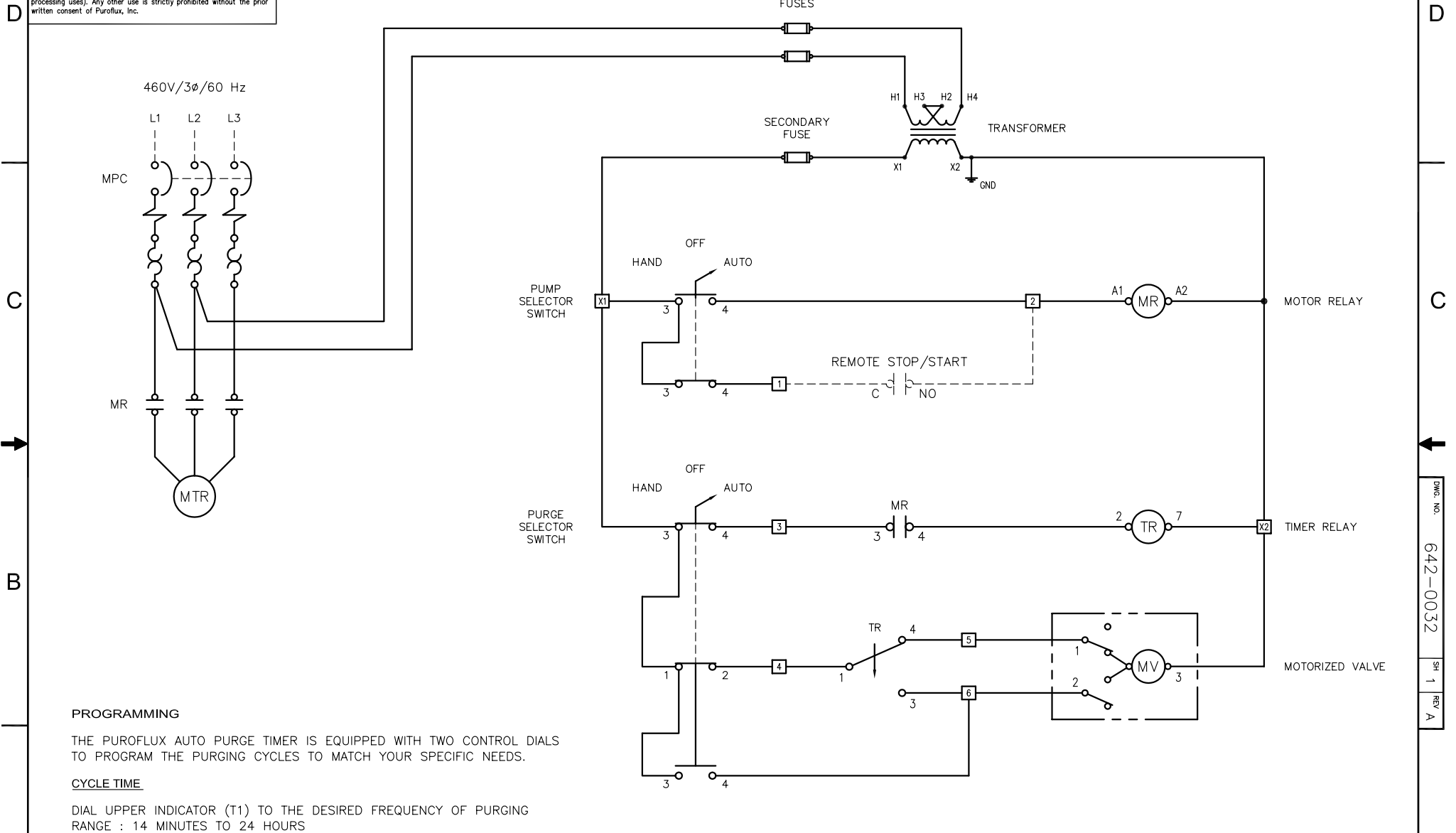


PROPRIETARY AND CONFIDENTIAL  
THE INFORMATION CONTAINED IN THIS  
DRAWING IS THE SOLE PROPERTY OF  
PUROFLUX CORPORATION. ANY  
REPRODUCTION IN PART OR AS A WHOLE  
WITHOUT THE WRITTEN PERMISSION OF  
PUROFLUX CORPORATION IS  
PROHIBITED.

UNLESS OTHERWISE SPECIFIED DIMENSIONS ARE IN INCHES TOLERANCES: FRACTIONAL ± ANGULAR: MACH ± BEND ± TWO PLACE DECIMAL ± THREE PLACE DECIMAL ±	PROJ. NO. DRAWN D. LUNA CHECKED DESIGN APPROVED MFG APPROVED QA APPROVED RELEASE DATE 11-18-10	PF-64H-050-AP SEPARATOR PACKAGE 600 GPM - W/SKID MOUNTED PUMP <b>PUROFLUX CORPORATION</b> PHONE: (805) 579-0216 FAX: (805) 579-4005 WEBSITE: www.puroflux.com
MATERIAL FINISH APPLICATION DO NOT SCALE DRAWING	SCALE NONE	SHEET 1 OF 1
SIZE C	CAGE CODE	DWG NO. 641-0408

**NOTICE OF PROPRIETARY RIGHTS**  
 This document contains confidential technical data, including trade secrets, proprietary to Puroflux, Inc. Disclosure of this data to you is expressly conditioned upon your assent that its use is limited to use within your company only (and does not include manufacture or processing uses). Any other use is strictly prohibited without the prior written consent of Puroflux, Inc.

REVISIONS			
REV	DESCRIPTION	DATE	APPROVED
A	REVISED - VALBIA ACTUATOR	02-20-08	K.C.



**PROGRAMMING**

THE PUROFLUX AUTO PURGE TIMER IS EQUIPPED WITH TWO CONTROL DIALS TO PROGRAM THE PURGING CYCLES TO MATCH YOUR SPECIFIC NEEDS.

CYCLE TIME

DIAL UPPER INDICATOR (T1) TO THE DESIRED FREQUENCY OF PURGING  
 RANGE : 14 MINUTES TO 24 HOURS  
 FACTORY SETTING : 25% (APPROX EVERY 6 HRS)

PURGING TIME

DIAL LOWER INDICATOR (T2) TO THE DESIRED DURATION OF PURGING  
 RANGE : 6 TO 60 SECONDS  
 FACTORY SETTING : 35% (APPROX 20 SEC)

MATERIAL	UNLESS OTHERWISE NOTED	PROJ. NO.	WIRING DIAGRAM : 460V/3φ/60 HZ	
	DIMENSIONS ARE IN INCHES	DRAWN K. CARTER	AUTO PURGE PANEL : REMOTE STOP/START	
	DO NOT SCALE THIS DRAWING	CHECKED		
	INTERPRET DRAWING PER APPLICABLE STANDARDS	DESIGN APPROVED	1357 KUEHNER DRIVE SIMI VALLEY CA 93063 PHONE: (805) 579-0216 FAX: (805) 579-6005	
DECIMALS ANGLES SURFACE FINISH	MFG APPROVED	QA APPROVED	SIZE C	CAGE CODE
THREADS PER NBS HANDBOOK-H28	CONCENTRICITIES .010 TIR	RELEASE DATE 08-23-02	DWG NO. 642-0032	REV A
BREAK CORNERS .005-.015	INTERNAL RADI	SCALE NONE	SHEET 1 OF 1	

DWG. NO. 642-0032  
 SH 1  
 REV A