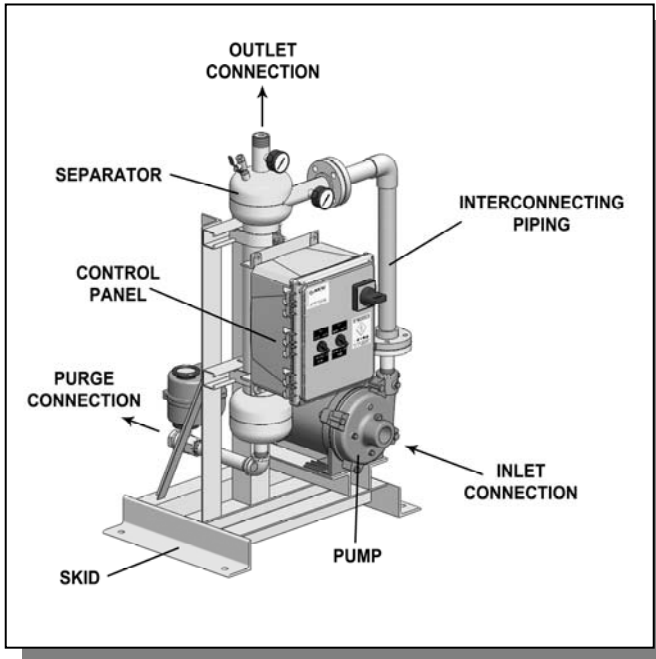




## PF64-015 SPECIFICATION SHEET PUMP PACKAGE SYSTEM



SPECIFICATIONS	PF64-015
Flow Rate	80 gpm
System Inlet Connection	2" fpt
System Outlet Connection	1 1/2" mpt
Purge Connection	1" fpt
Separator Model	PF61-015
Separator Purge	Automatic
Pump Motor	3 hp
Volume	2 gal
Est. Weight, Dry	289 lbs
Est. Weight, Operating	305 lbs

- Removes particulate as low as 45 microns
- 150 psi working pressure

- Fully assembled skid package
- One year limited warranty

### SYSTEM COMPONENTS

#### Separator :

- PF61-015 - 1 1/2" threaded separator
- Fusion bonded polyester coated vessel
- 1/4" Manual air bleed valve
- 0 to 160 psi gauges on influent / effluent

#### Electrical Controls :

- NEMA 4X fiberglass enclosure
- Motor overload/short circuit protection
- Hand-Off-Auto switches

#### Pump :

- Close coupled, end suction centrifugal pump
- 3450 rpm, TEFC motor

#### Automatic Purge :

- Electrically actuated industrial grade ball valve
- Adjustable purge timer

#### Skid :

- Fusion bonded polyester coated carbon steel

#### Interconnecting Pipe :

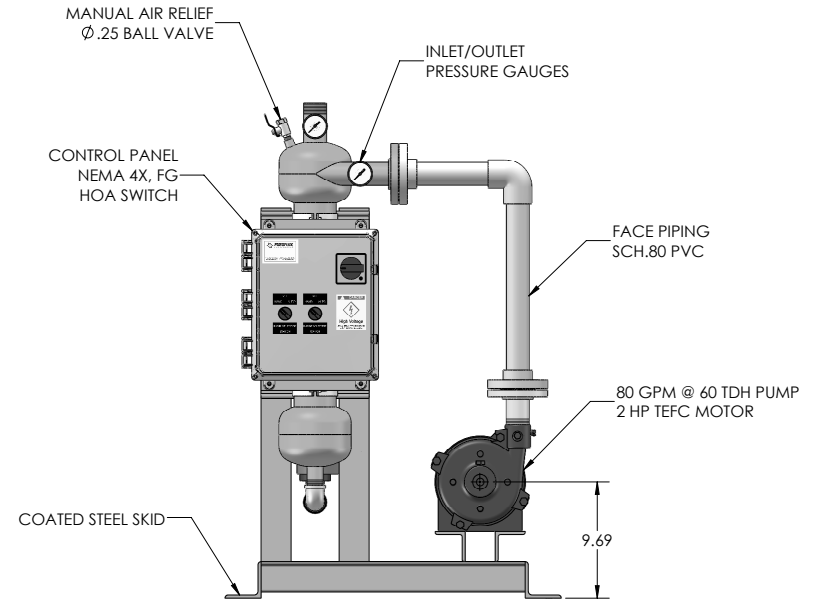
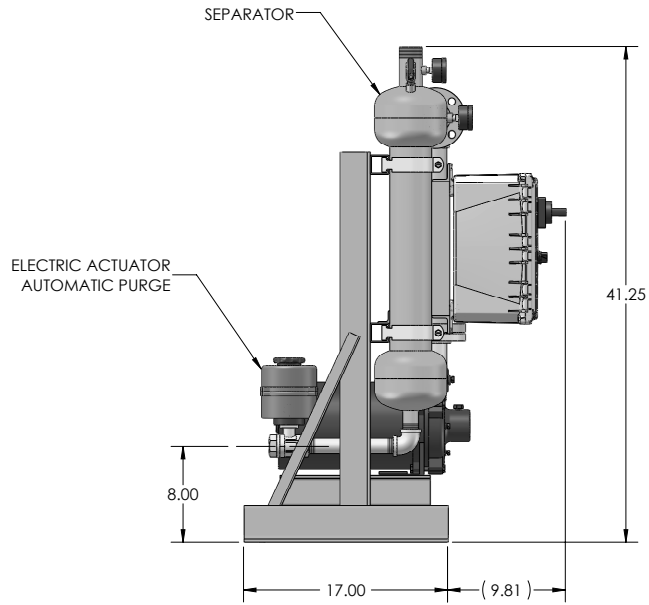
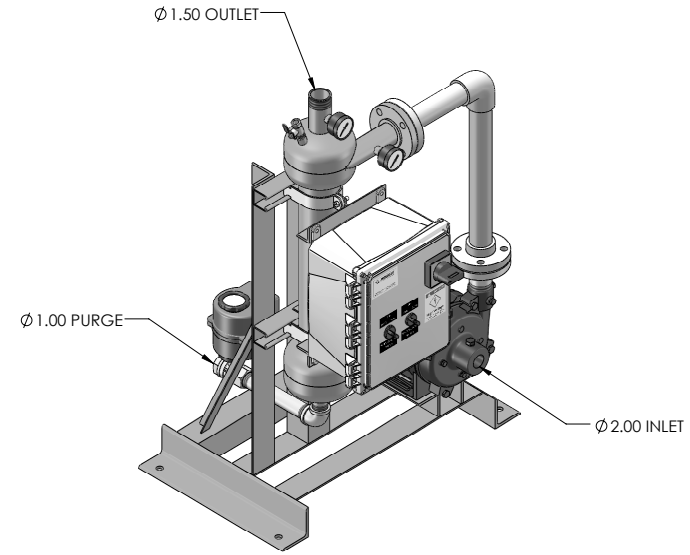
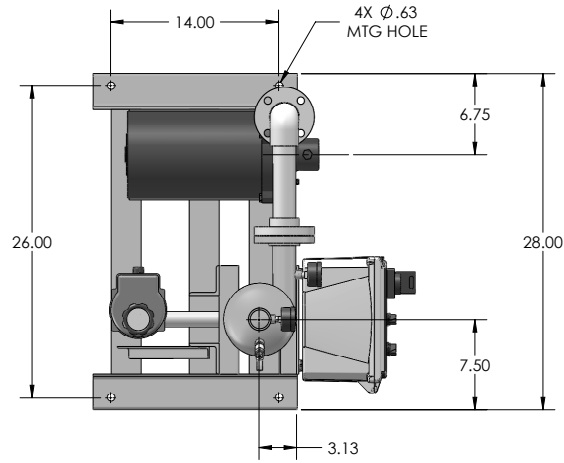
- Sch.80 PVC piping

**Options:** Cast Iron Pump Pre-Strainer, Manual Purge, Removable Dome, 22 1/2" profile

NOTES: UNLESS OTHERWISE SPECIFIED

1. DIMENSIONS ARE IN INCHES
2. DIMENSIONS MAY VARY SLIGHTLY - DO NOT USE FOR CONSTRUCTION
3. SEPARATOR SYSTEM IS RATED FOR 150 PSI WORKING PRESSURE
4. UNIT AVAILABLE WITH OPTIONAL PUMP PRE-STRAINER

REVISIONS			
REV	DESCRIPTION	DATE	APPROVED
A	CHANGED PUMP	08-07-09	D.L.



PROPRIETARY AND CONFIDENTIAL  
 THE INFORMATION CONTAINED IN THIS  
 DRAWING IS THE SOLE PROPERTY OF  
 PUROFLUX CORPORATION. ANY  
 REPRODUCTION IN PART OR AS A WHOLE  
 WITHOUT THE WRITTEN PERMISSION OF  
 PUROFLUX CORPORATION IS  
 PROHIBITED.

UNLESS OTHERWISE SPECIFIED DIMENSIONS ARE IN INCHES TOLERANCES: FRACTIONAL ± ANGULAR: MACH ± BEND ± TWO PLACE DECIMAL ± THREE PLACE DECIMAL ± INTERPRET GEOMETRIC TOLERANCING PER:	PROJ. NO.	PF-64-015 AP SEPARATOR PACKAGE 80 GPM - W/SKID MOUNTED PUMP	
	DRAWN D. LUNA	PHONE: (805) 579-0216 FAX: (805) 579-6005 WEBSITE: www.puroflux.com	
	CHECKED	SIZE C	
	DESIGN APPROVED	CAGE CODE	DWG NO. 641-0281
	MFG APPROVED	REV A	
MATERIAL	QA APPROVED	SCALE NONE	
FINISH	RELEASE DATE 05-22-09	SHEET 1 OF 2	
APPLICATION DO NOT SCALE DRAWING			

**NOTICE OF PROPRIETARY RIGHTS**  
 This document contains confidential technical data, including trade secrets, proprietary to Puroflux, Inc. Disclosure of this data to you is expressly conditioned upon your assent that its use is limited to use within your company only (and does not include manufacture or processing uses). Any other use is strictly prohibited without the prior written consent of Puroflux, Inc.

REVISIONS			
REV	DESCRIPTION	DATE	APPROVED
D	REVISED VALBIA ACTUATOR	10-21-11	K.C.

D

D

C

C

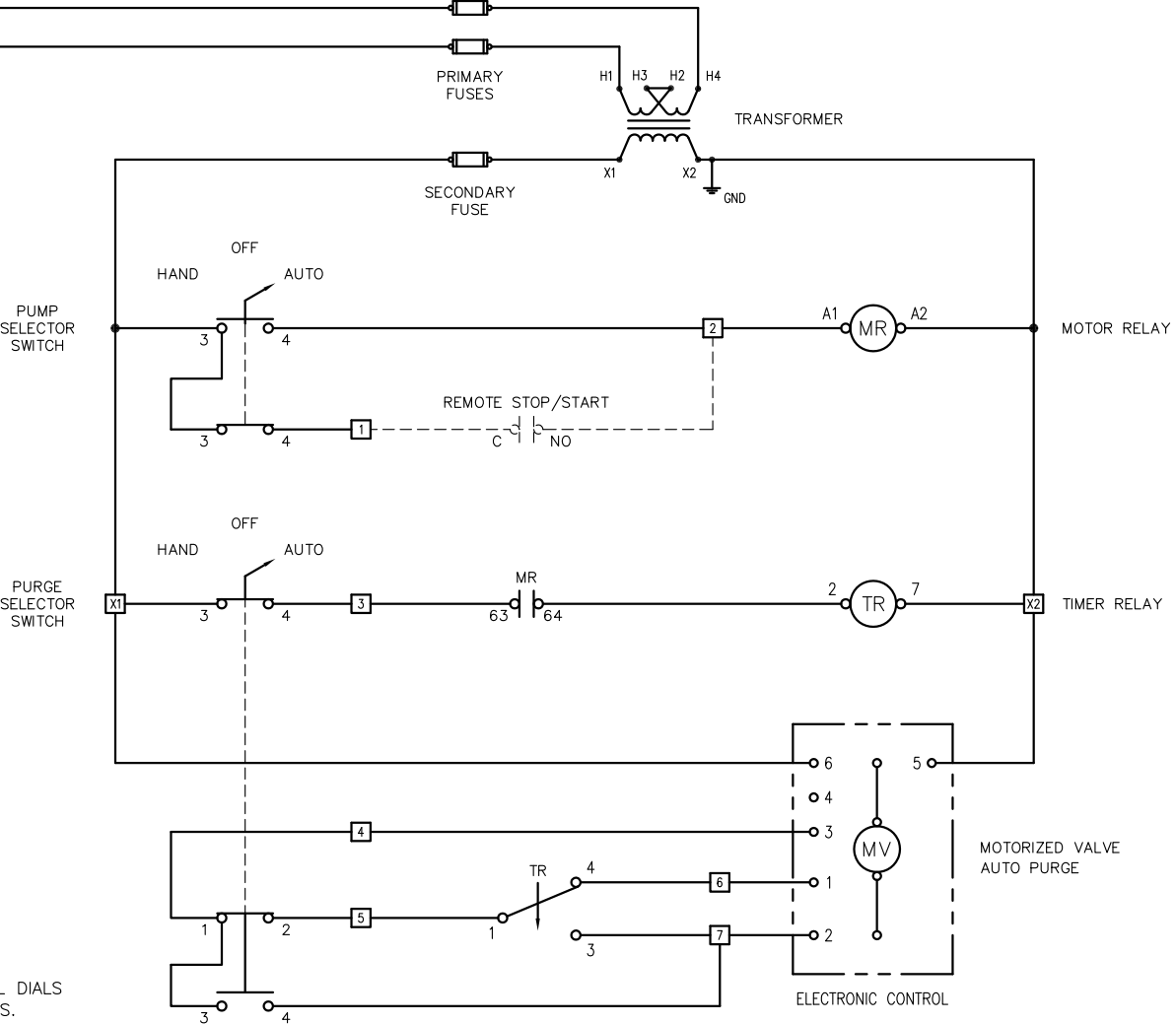
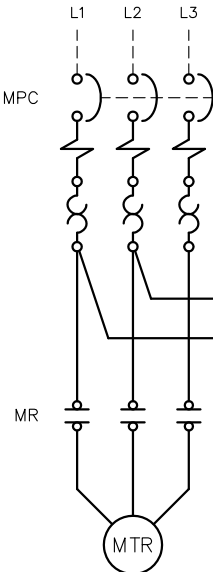
B

B

A

A

460V/3 $\phi$ /60 Hz



**PROGRAMMING**

THE PUROFLUX AUTO PURGE TIMER IS EQUIPPED WITH TWO CONTROL DIALS TO PROGRAM THE PURGING CYCLES TO MATCH YOUR SPECIFIC NEEDS.

CYCLE TIME

DIAL UPPER INDICATOR (T1) TO THE DESIRED FREQUENCY OF PURGING  
 RANGE : 14 MINUTES TO 24 HOURS  
 FACTORY SETTING : 25% (APPROX EVERY 6 HRS)

PURGING TIME

DIAL LOWER INDICATOR (T2) TO THE DESIRED DURATION OF PURGING  
 RANGE : 6 TO 60 SECONDS  
 FACTORY SETTING : 35% (APPROX 20 SEC)

DWG. NO. 642-0032 SH 1 REV D

MATERIAL HEAT TREAT FINISH	UNLESS OTHERWISE NOTED DIMENSIONS ARE IN INCHES DO NOT SCALE THIS DRAWING	PROJ. NO. DRAWN K. CARTER	WIRING DIAGRAM : 460V/3 $\phi$ /60 HZ AUTO PURGE PANEL : REMOTE STOP/START 1357 KUEHNER DRIVE SIMI VALLEY CA 93063 PHONE: (805) 579-0216 FAX: (805) 579-6005
	INTERPRET DRAWING PER APPLICABLE STANDARDS	CHECKED	
	DECIMALS ANGLES SURFACE FINISH .XX ± - ± - .XXX ± - -	DESIGN APPROVED	
	THREADS PER NBS HANDBOOK-H28 CONCENTRICITIES .010 TR BREAK CORNERS .005-.015 INTERNAL RADI .015-.030	MFG APPROVED QA APPROVED	
NEXT ASSEMBLY APPLICATION	RELEASE DATE 08-23-02	SCALE NONE	DWG NO. 642-0032 REV D

4

3

2

1