

# PF-64LP SERIES

## 50 PSI PUMP PACKAGE SYSTEM

### FEATURES

- Available in flow rates from 40 to 100 GPM.
- Standard unit equipped with PF-61 series separator.
- Close coupled, bronze constructed centrifugal pump, TEFC motor and Noryl pre-strainer with clear lid.
- Control panel - NEMA 4X fiberglass enclosure with motor start/stop and short circuit/overload protection.
- Sch. 80 PVC interconnecting piping.
- Automatic purge complete with electrically actuated industrial grade ball valve and adjustable purge timer.
- Skid - fusion bonded polyester coated carbon steel.
- Options: Manual purge, pump HOA switch, removable dome.



### APPLICATION

PUROFLUX's PF-64LP pump package systems are designed specifically to remove dirt, sand, silt, precipitates, and suspended solids from process fluids. Removal of these unwanted contaminants will result in increased system efficiency and decreased operating costs.

### TYPICAL APPLICATIONS INCLUDE:

- Cooling Towers
- Aquatic Exhibits
- Open Sumps
- Waste Water Discharge
- Potable Water
- Fish Hatcheries
- Low Pressure Industrial Processes
- Car Washes
- Low Pressure Storage Tanks

### RELIABILITY

The PF-64LP package systems are designed to withstand the harshest environments and deliver long lasting reliability. Puroflux utilizes its extensive engineering background in process filtration / separation to provide simple, reliable systems that require minimum maintenance.

### SERVICE

Technical field service representatives are available to provide guidance for application, installation and repair in both domestic and international markets.

### AFFORDABILITY

PUROFLUX's PF-64LP pump package system is an affordable alternative to other comparable types of filtration, and with its low initial investment, offers a quick return on investment.

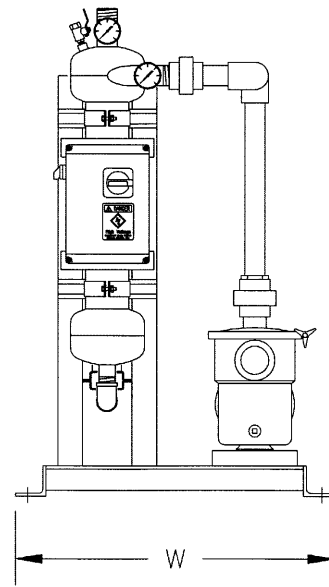
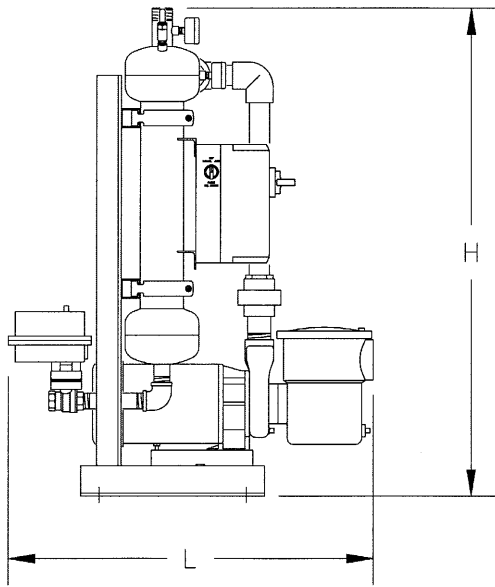
S-64LP/03



# PUROFLUX

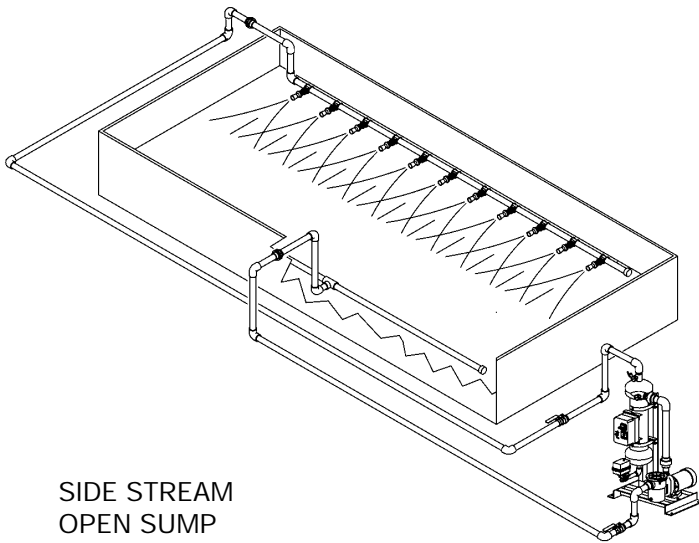
C O R P O R A T I O N  
F I L T R A T I O N A N D C O N T R O L S Y S T E M S

# PF-64LP SERIES - 50 PSI Pump Package System

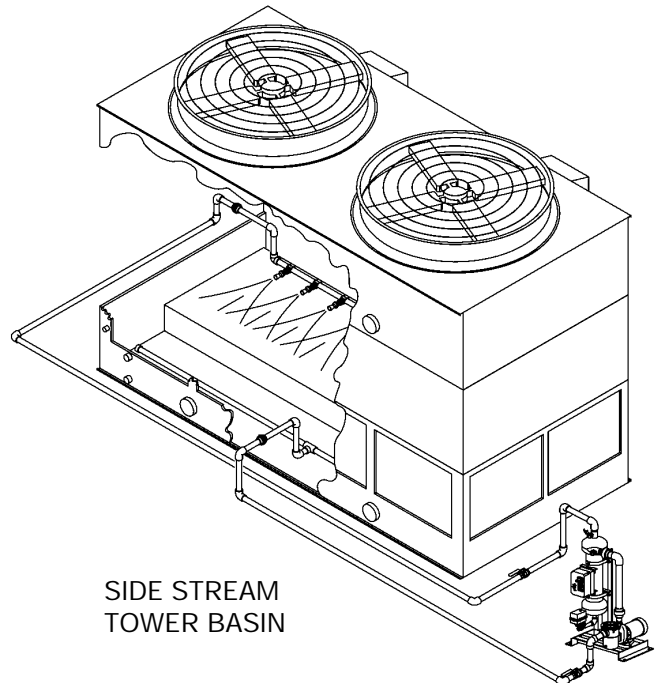


MODEL	FLOW RATE	MOTOR	CONNECTION		PURGE	VOLUME	DIMENSIONS			WEIGHT, LBS	
Number	GPM	HP	Inlet	Outlet	Size	Gallons	L	H	W	Shipping	Oper.
PF-64LP-012	40	1	2" fpt	1 1/4" mpt	1" fpt	2	30"	40"	26"	119	135
PF-64LP-015	65	2	2" fpt	1 1/2" mpt	1" fpt	2	30"	40"	26"	134	150
PF-64LP-020	100	2	2" fpt	2" mpt	1" fpt	7	34"	48"	30"	200	258

## TYPICAL INSTALLATION



SIDE STREAM  
OPEN SUMP



SIDE STREAM  
TOWER BASIN



(805) 579-0216 Fax: 579-6005  
 website: [www.puroflux.com](http://www.puroflux.com) • e-mail: [sales@puroflux.com](mailto:sales@puroflux.com)