

4

3

2

1

SWEPPER JET BENEFITS

INCREASED OUTPUT FLOW
 MANUFACTURED FROM CORROSION RESISTANT FIBERGLASS REINFORCED POLYPROPYLENE
 VENTURI EFFECT INCREASES LIQUID CIRCULATION, AMPLIFYING TURBULENCE IN THE BASIN
 REDUCES SETTLING OF SOLIDS
 IMPROVES PERFORMANCE OF FILTRATION
 CAN WORK IN MANY APPLICATIONS UP TO 150° F
 REDUCES DOWNTIME AND ASSOCIATED COST

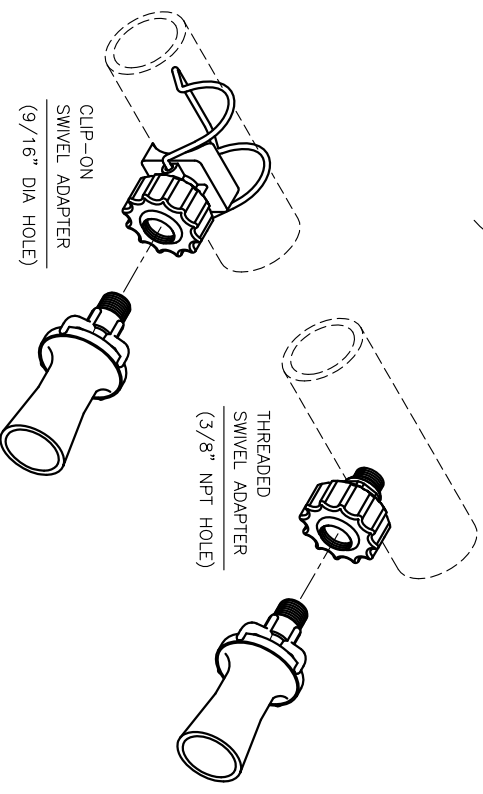
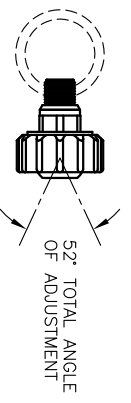
SWEPPER JET SELECTION

DIVIDE FILTER FLOW RATE (GPM) BY JET FLOW RATE (GPM) = NUMBER OF JETS NEEDED
 EXAMPLE : PF-1020 (45 GPM) ÷ PF-75 JET (7.5 GPM) = 6 JETS

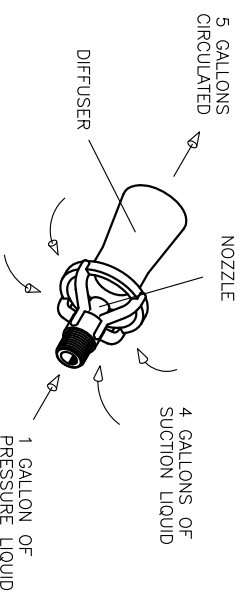
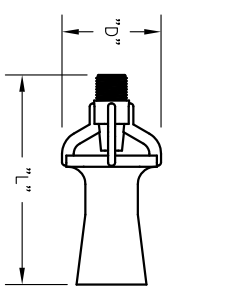
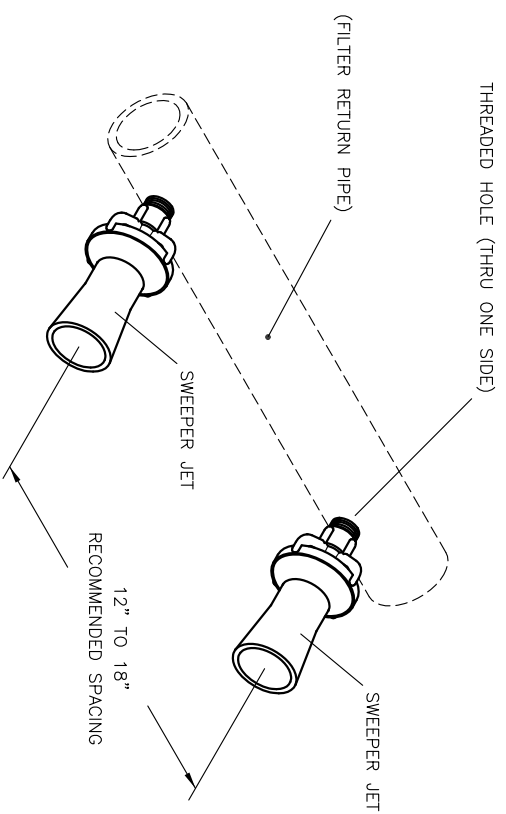
*OPTIONAL * SWIVEL ADAPTERS

ONLY AVAILABLE FOR PF-35 & PF-75 SWEPPER JETS
 ONLY AVAILABLE FOR 1", 1.5" & 2" PIPE SIZES

ALLOWS FOR QUICK MOUNTING AND REMOVAL OF SWEPPER JETS
 USEFUL TO MOUNT SWEPPER JET WHERE AN ADJUSTMENT TO POSITION MAY BE DESIRED



REVISIONS			
REV	DESCRIPTION	DATE	APPROVED



JET MODEL	PIPE SIZE	DIMENSIONS		LINE PRESSURE (PSI)									
		"L"	"D"	10	15	20	25	30	35	40	50		
PF-75	3/8" MPT	4-1/2"	2-1/8"	7.5	9.2	10.7	11.9	13.1	14.1	15	17		
PF-135	3/4" MPT	6-3/8"	3"	13.5	17	19	21	23	25	27	30		
PF-210	1" MPT	8-1/2"	3-3/4"	21	25	29	33	36	39	42	47		
PF-330	1-1/2" MPT	9-7/8"	4-5/8"	33	41	47	53	58	63	67	75		

PROPRIETARY AND CONFIDENTIAL

THE INFORMATION CONTAINED IN THIS DRAWING IS THE SOLE PROPERTY OF PUROFLUX CORPORATION. ANY REPRODUCTION IN PART OR AS A WHOLE WITHOUT THE WRITTEN PERMISSION OF PUROFLUX CORPORATION IS STRICTLY PROHIBITED.

SWEPPER JET COMPOSITE		REV	
SIZE	DWG NO.	RELEASE DATE	SCALE
C			

WWW.PUROFLUX.COM

PUROFLUX CORPORATION

SHEET

A

B

C

D

A

B

C

D

4

3

2

1